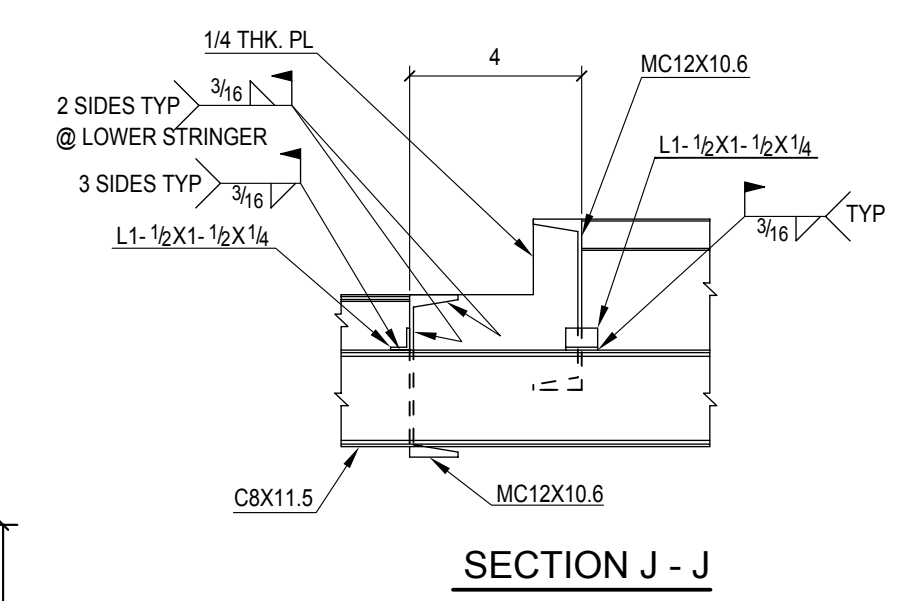
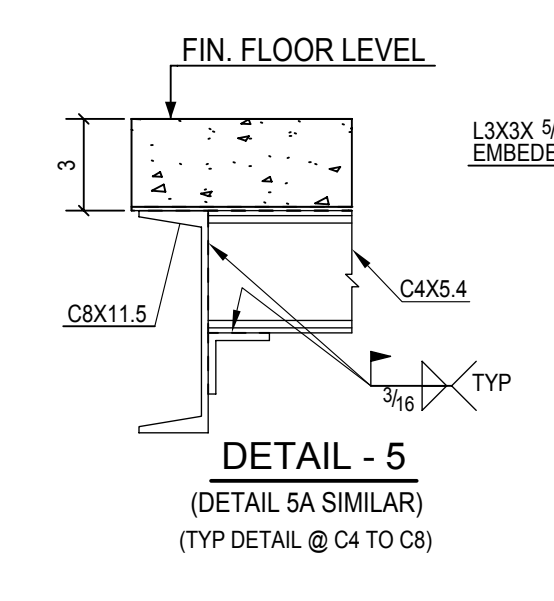


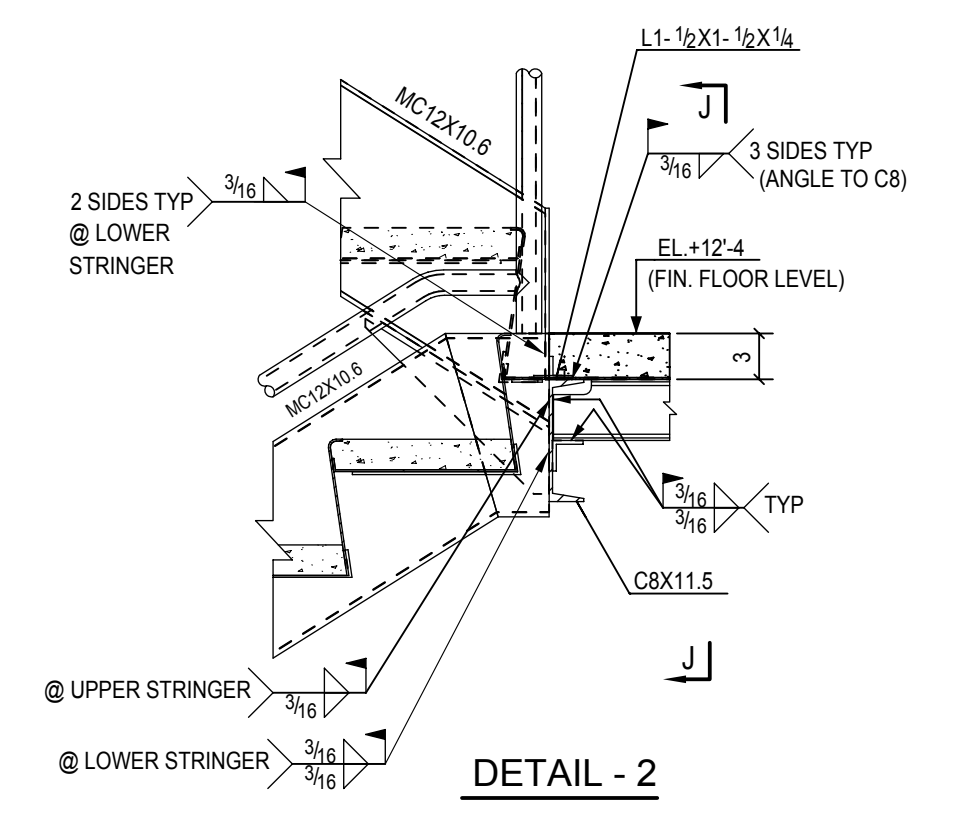
SECTION A - A



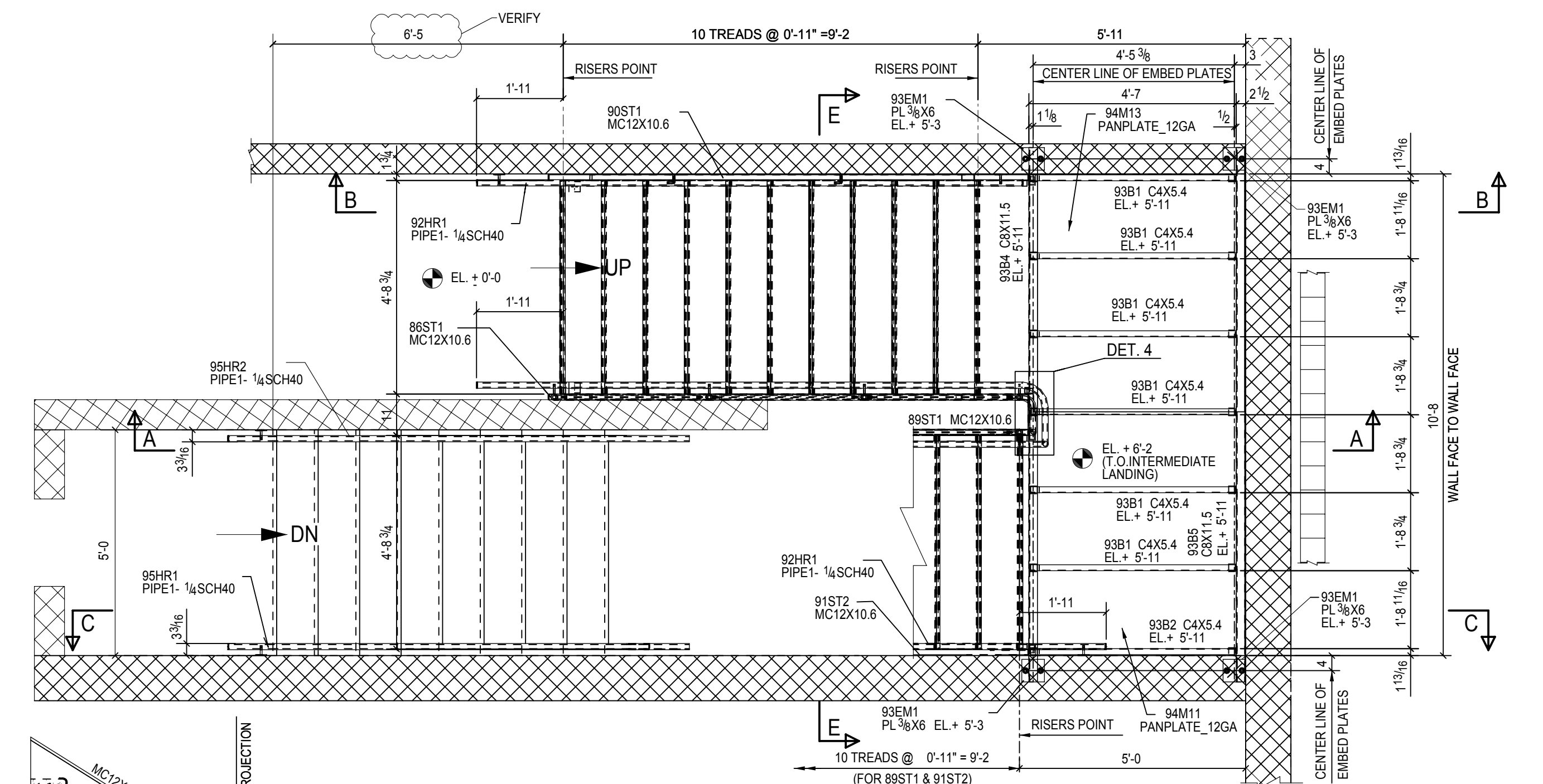
SECTION J - J



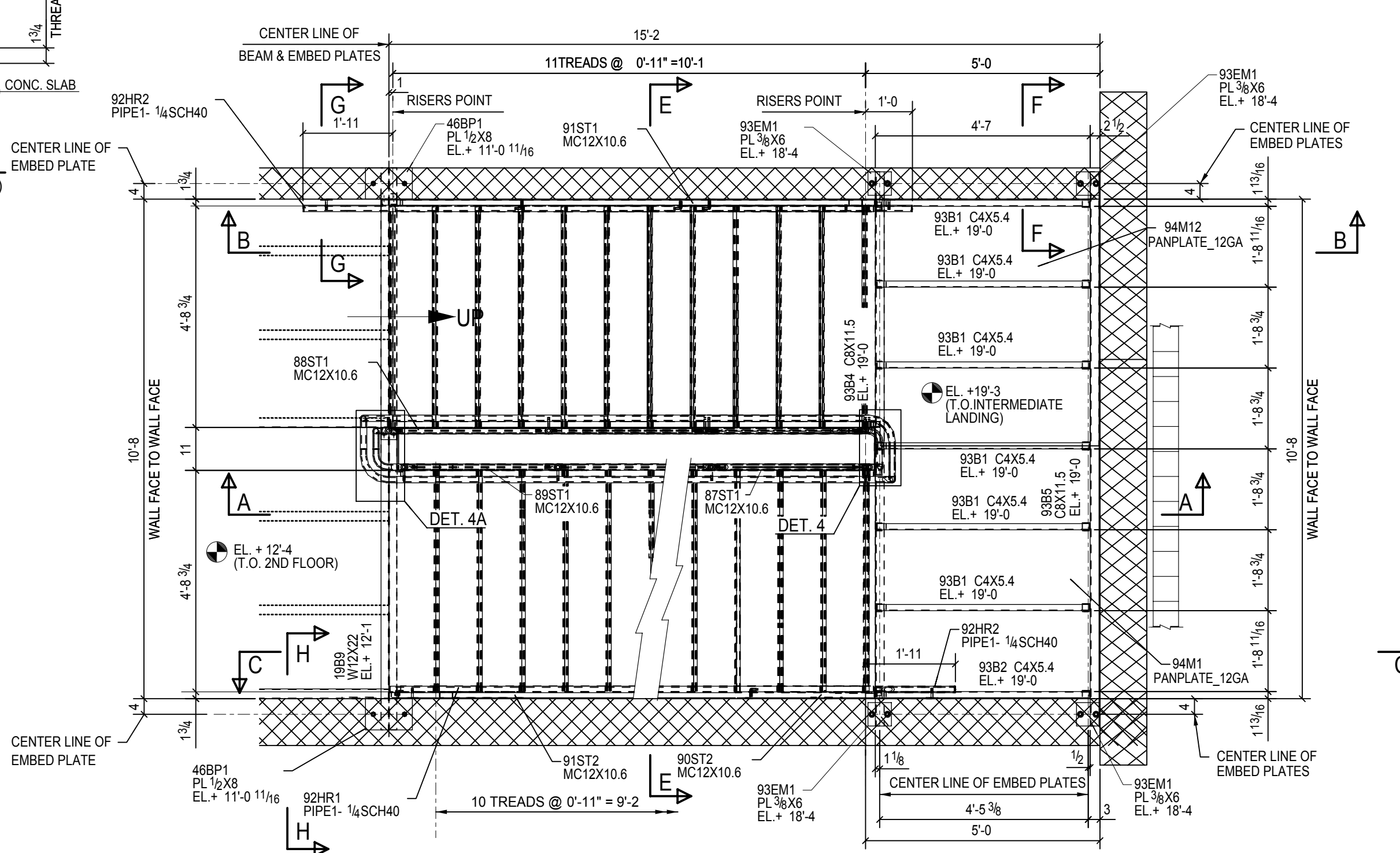
DETAIL - 5 (DETAIL 5A SIMILAR) (TYP DETAIL @ C4 TO C8)



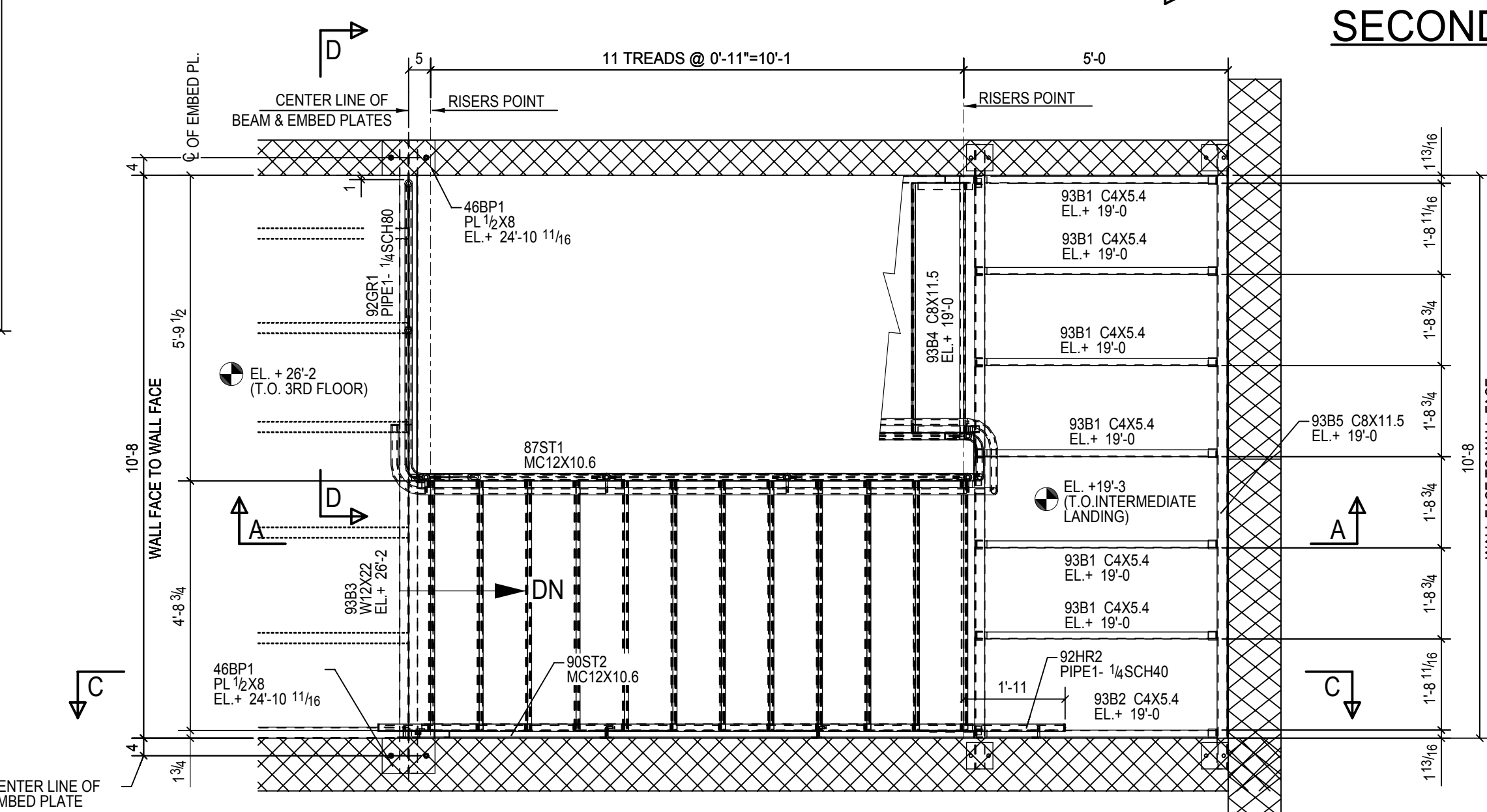
DETAIL - 2



FIRST FLOOR PLAN



SECOND FLOOR PLAN



THIRD FLOOR PLAN



REV.	DATE	DESCRIPTION
Detaller: <b>D &amp; A TECHNICAL SERVICES, INC.</b> LAUREL, MARYLAND PH: 3012725593 Fax: 2402355302		
ISSUE FOR	DATE	Ref. Dwg. Dwg. Description
APPROVAL	Project:	A14 & A16 STAIR-2 MARKING PLAN SECTIONS
	Location:	
	Customer:	
	Arch:	
	Detalled By:	Date: Job No. Dwg. No. Rev.
	Checked By:	Date: Job No. Dwg. No. Rev.