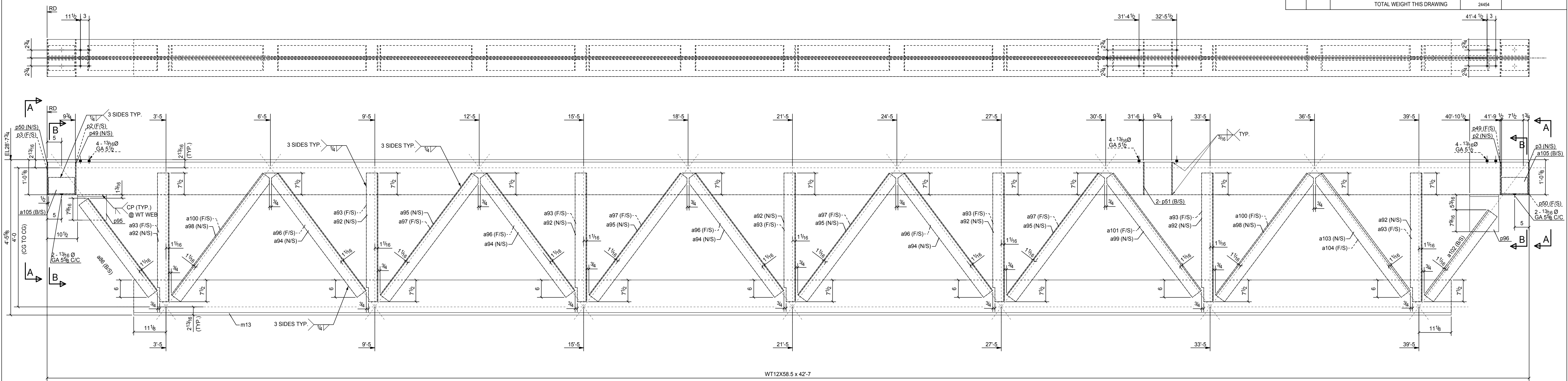
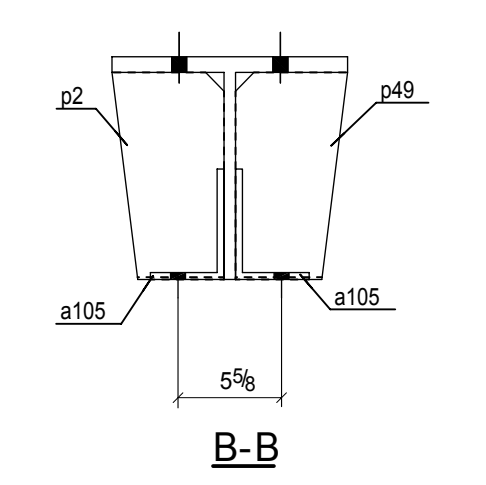
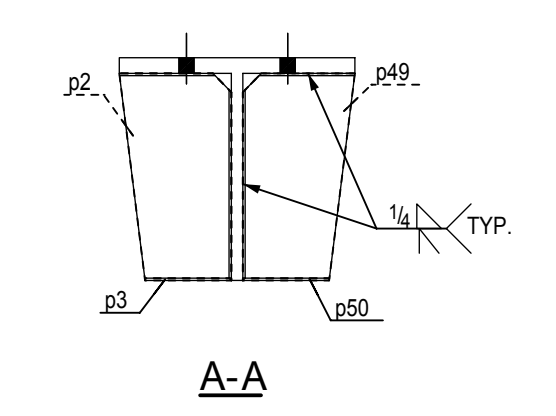


BILL OF MATERIAL

MARK	QTY	DESCRIPTION	LENGTH	WEIGHT	REMARKS
38TR1	4				
	4	WT12X58.5	42'-7"	9970	A992
a86	8	L4X4X1/4	3'-3 3/4"	175	A36
a92	28	L4X4X1/4	3'-8 7/16"	684	A36
a93	28	L4X4X1/4	3'-8 7/16"	684	A36
a94	16	L4X4X1/4	4'-2 5/8"	446	A36
a95	16	L4X4X1/4	4'-4 1/2"	462	A36
a96	16	L4X4X1/4	4'-2 5/8"	446	A36
a97	16	L4X4X1/4	4'-4 1/2"	462	A36
a98	8	L4X4X3/8	4'-4 1/2"	341	A36
a99	4	L4X4X3/8	4'-2 5/8"	164	A36
a100	8	L4X4X3/8	4'-4 1/2"	341	A36
a101	4	L4X4X3/8	4'-2 5/8"	164	A36
a102	8	L4X4X1/2	3'-0 5/8"	312	A36
a103	4	L4X4X1/2	4'-2 5/8"	215	A36
a104	4	L4X4X1/2	4'-2 5/8"	215	A36
a105	16	L8X4X3/8	0'-9"	147	A36
m13	4	WT12X58.5	37'-10 1/4"	8864	A992
p2	8	PL14"x6 1/16"	0'-11 1/4"	34	A36
p3	8	PL14"x6 1/16"	0'-11 1/4"	33	A36
p49	8	PL14"x6 1/16"	0'-11 1/4"	34	A36
p50	8	PL14"x6 1/16"	0'-11 1/4"	33	A36
p51	16	PL14"x6 1/16"	0'-11 1/4"	77	A36
p95	4	PL5'8"x8 3/4"	0'-10"	60	A36
p96	4	FL5'8"x10"	1'-0 3/4"	88	A36
TOTAL WEIGHT THIS DRAWING				24454	



4 - TRUSSS - 38TR1



D & A TECHNICAL SERVICES, INC.					
LAUREL, MARYLAND PH: 3012725593 FAX: 2402355302					
ISSUED For	Date	Ref. Dwg.	Dwg. Description	TRUSS DETAILS	
			Project :		
			Location :		
			Customer :		
			Arch :		
			Detailed By	Job No.	Dwg. No.
			Checked By		Rev.