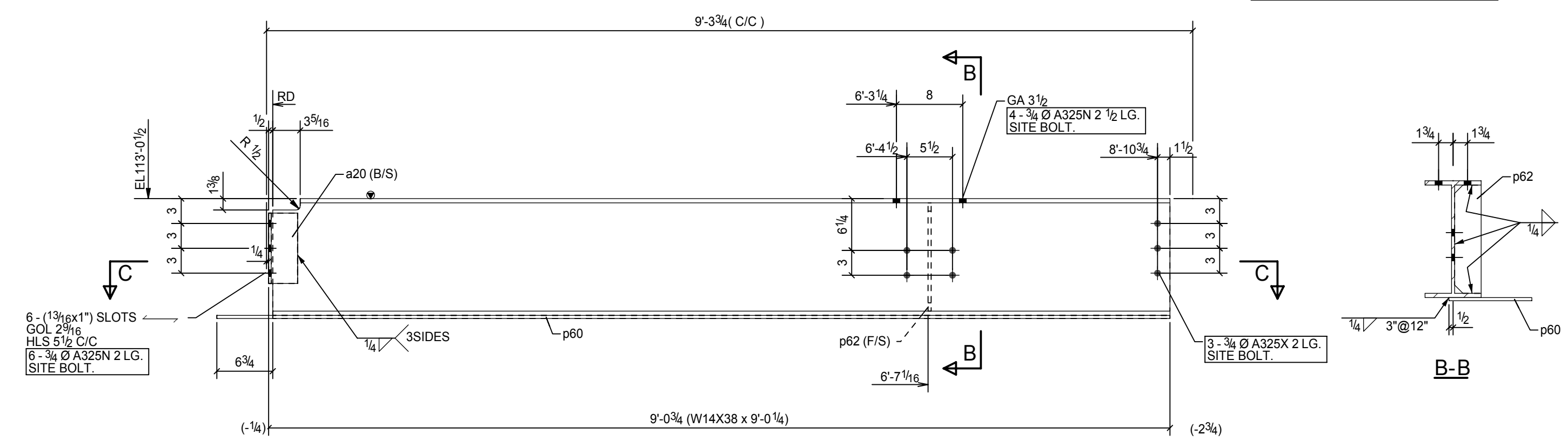
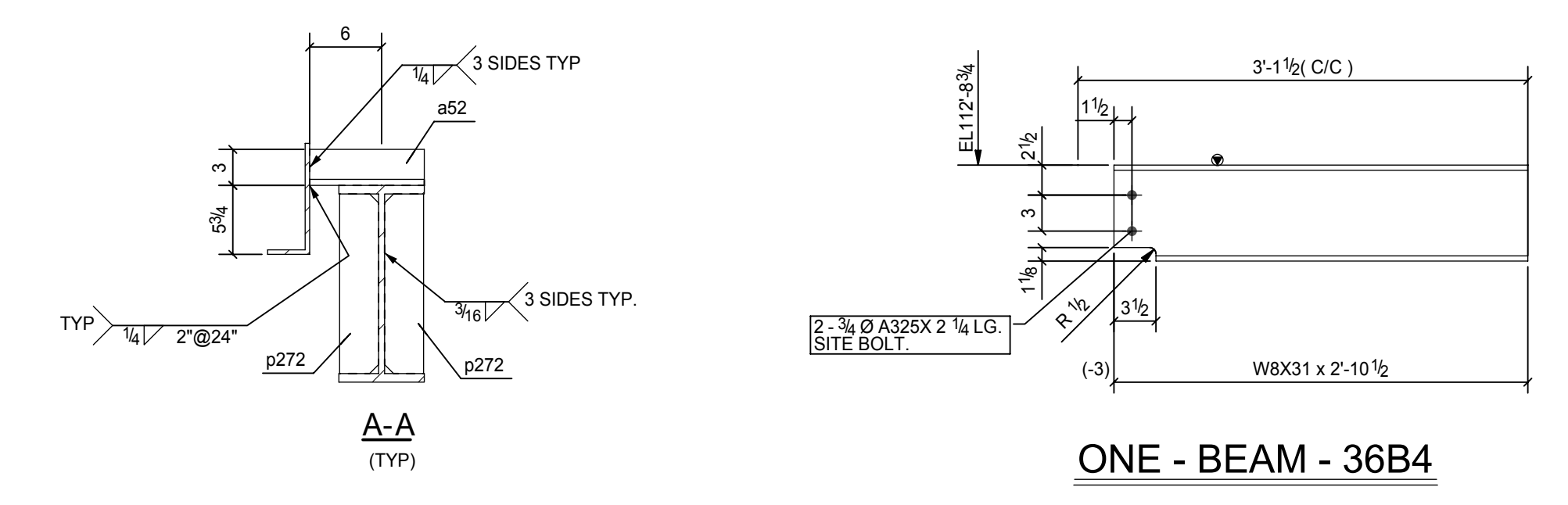


ONE - BEAM - 36B1

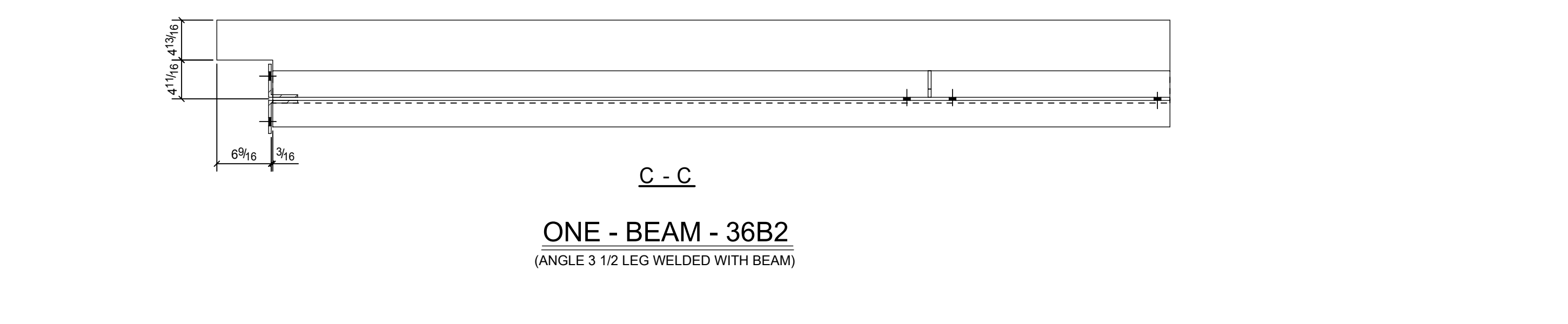
| SEQ. |   |   |   | BILL OF MATERIAL |            |      |                   |             |       |          |
|------|---|---|---|------------------|------------|------|-------------------|-------------|-------|----------|
| A    | B | C | D | SHIP MARK        | PIECE MARK | QTY. | DESCRIPTION       | LENGTH      | GRADE | REMARKS  |
| 1    | 0 | 0 | 0 | 36B1             |            | 1    | W16X57            | 28'-4 3/8"  | A992  | NO PAINT |
|      |   |   |   |                  | a52        | 17   | L3X3X1/2          | 0'-9 9/16"  | A36   |          |
|      |   |   |   |                  | n2         | 24   | 3/4 HEAVY HEX_NUT | 0'-0 15/16" | A36   |          |
|      |   |   |   |                  | p90        | 2    | PL3/8X12          | 4'-4 1/2"   | A36   |          |
|      |   |   |   |                  | p91        | 1    | PL3/8X12          | 19'-0"      | A36   |          |
|      |   |   |   |                  | p272       | 30   | PL1/4X3 1/4       | 1'-3"       | A36   |          |
| 1    | 0 | 0 | 0 | 36B2             |            | 1    | W14X38            | 9'-0 1/4"   | A992  | NO PAINT |
|      |   |   |   |                  | a20        | 2    | L4X3-1/2X5/16     | 0'-8 1/2"   | A36   |          |
|      |   |   |   |                  | p60        | 1    | PL3/8X10          | 9'-7"       | A36   |          |
|      |   |   |   |                  | p62        | 1    | PL3/8X3 3/16      | 1'-1 1/16"  | A36   |          |
| 1    | 0 | 0 | 0 | 36B3             |            | 1    | W14X38            | 9'-0 1/4"   | A992  | NO PAINT |
|      |   |   |   |                  | a20        | 2    | L4X3-1/2X5/16     | 0'-8 1/2"   | A36   |          |
|      |   |   |   |                  | p62        | 1    | PL3/8X3 3/16      | 1'-1 1/16"  | A36   |          |
|      |   |   |   |                  | p120       | 1    | PL3/8X10          | 9'-7"       | A36   |          |
| 1    | 0 | 0 | 0 | 36B4             |            | 1    | W8X31             | 2'-10 1/2"  | A992  | NO PAINT |
| 1    | 0 | 0 | 0 | 36B5             |            | 1    | W8X31             | 7'-9"       | A992  | NO PAINT |
| 1    | 0 | 0 | 0 | 36B6             |            | 1    | W10X22            | 16'-9"      | A992  | NO PAINT |



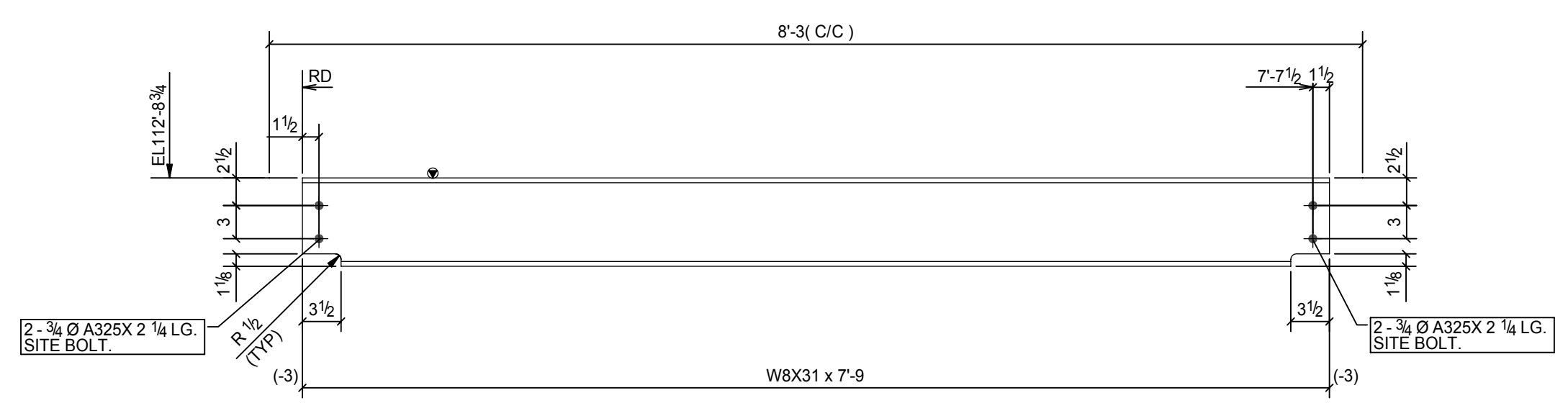
ONE - BEAM - 36B2  
(ANGLE 3 1/2 LEG WELDED WITH BEAM)



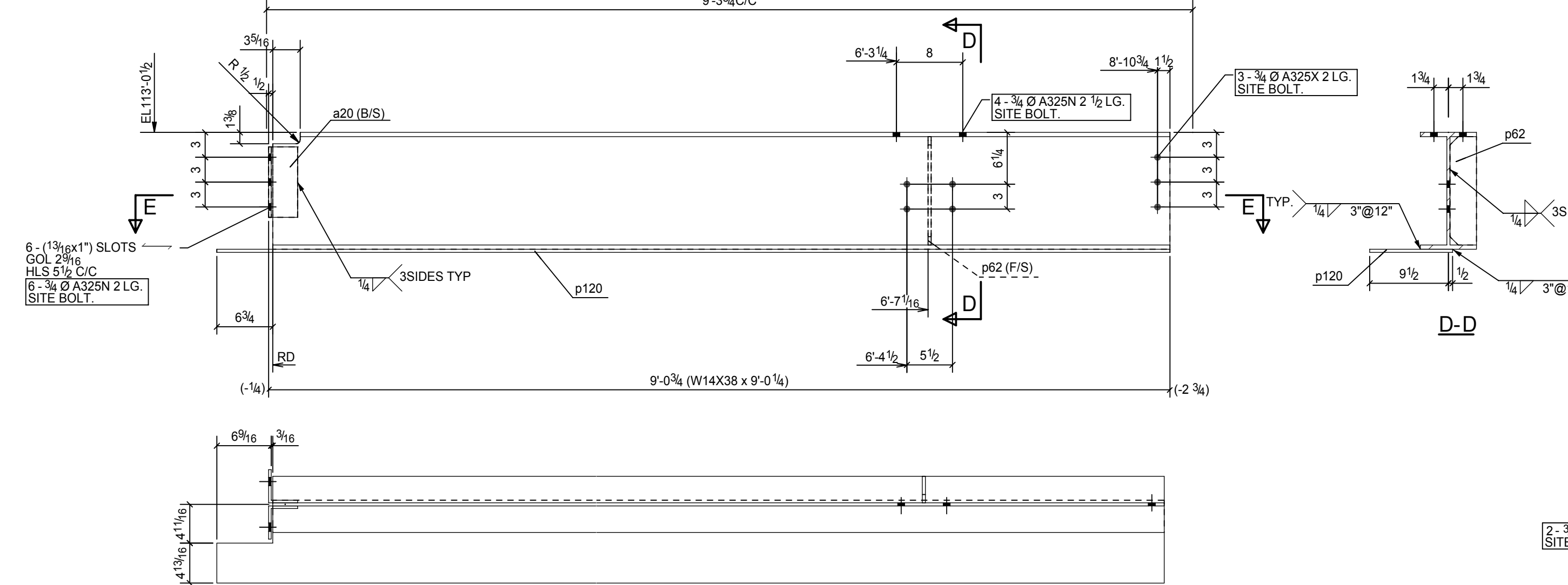
ONE - BEAM - 36B4



ONE - BEAM - 36B3  
(ANGLE 3 1/2 LEG WELDED WITH BEAM)



ONE - BEAM - 36B5



ONE - BEAM - 36B6

NOTE :  
1. NO PAINT

- SHOP NOTES
- 1) ALL HOLES 13/16 Dia U.N.O.
  - 2) E70XX ELECTRODES
  - 3) MATERIAL A36 UNO

| REV. | DATE | DESCRIPTION            |
|------|------|------------------------|
| C    |      | REVISED AS MARKED      |
| B    |      | ISSUED FOR FABRICATION |
| A    |      | ISSUED FOR APPROVAL    |

|             |               |  |          |                                  |
|-------------|---------------|--|----------|----------------------------------|
| Detailer    |               | <b>D &amp; A TECHNICAL SERVICES, INC.</b><br>LAUREL, MARYLAND PH: 3012725593 FAX: 2402355302 |          |                                  |
| ISSUED For  | Date          | Ref. Dwg.  | E1       | Dwg. Description<br>BEAM DETAILS |
| APPROVAL    | Project :     |  |          |                                  |
| FABRICATION | Location :    |  |          |                                  |
| REVISED     | Customer :    |  |          |                                  |
|             | Arch :        |  |          |                                  |
|             | Detailed By : |  |          |                                  |
|             | Checked By :  |  |          |                                  |
|             |               | Job No.  | Dwg. No. | Rev. C                           |