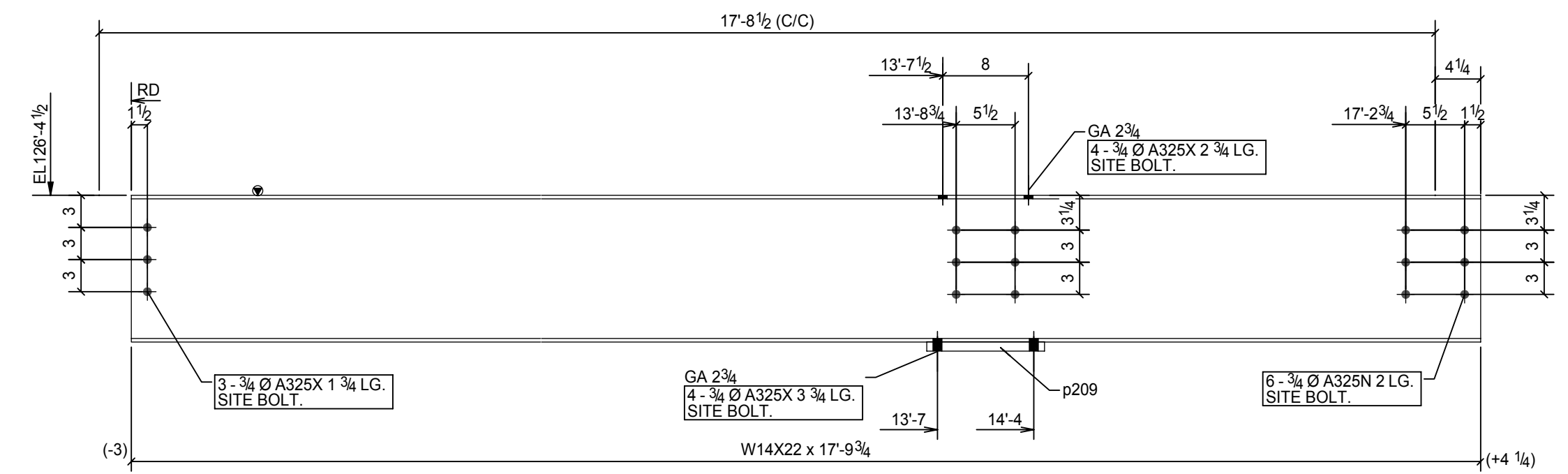
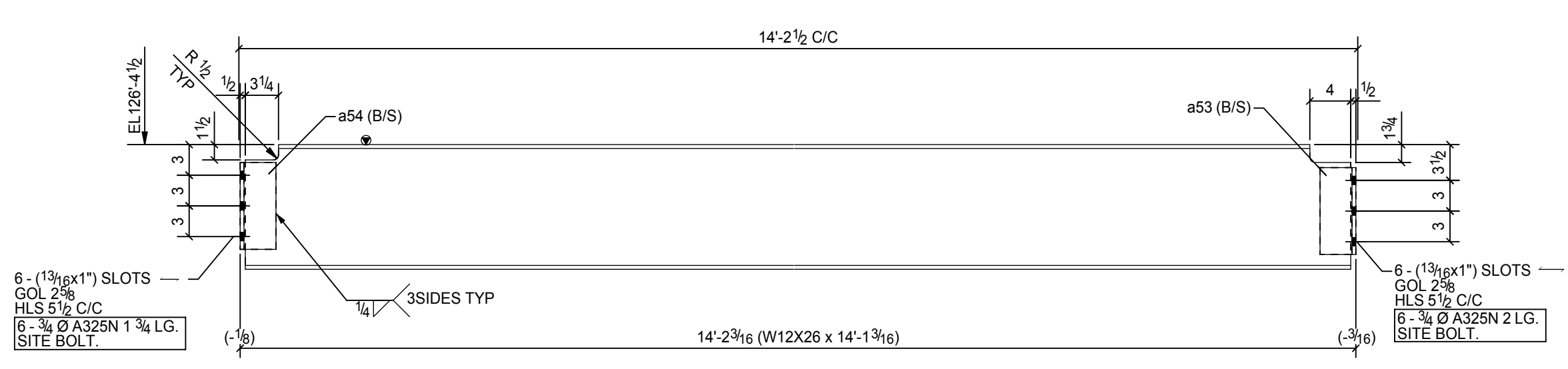


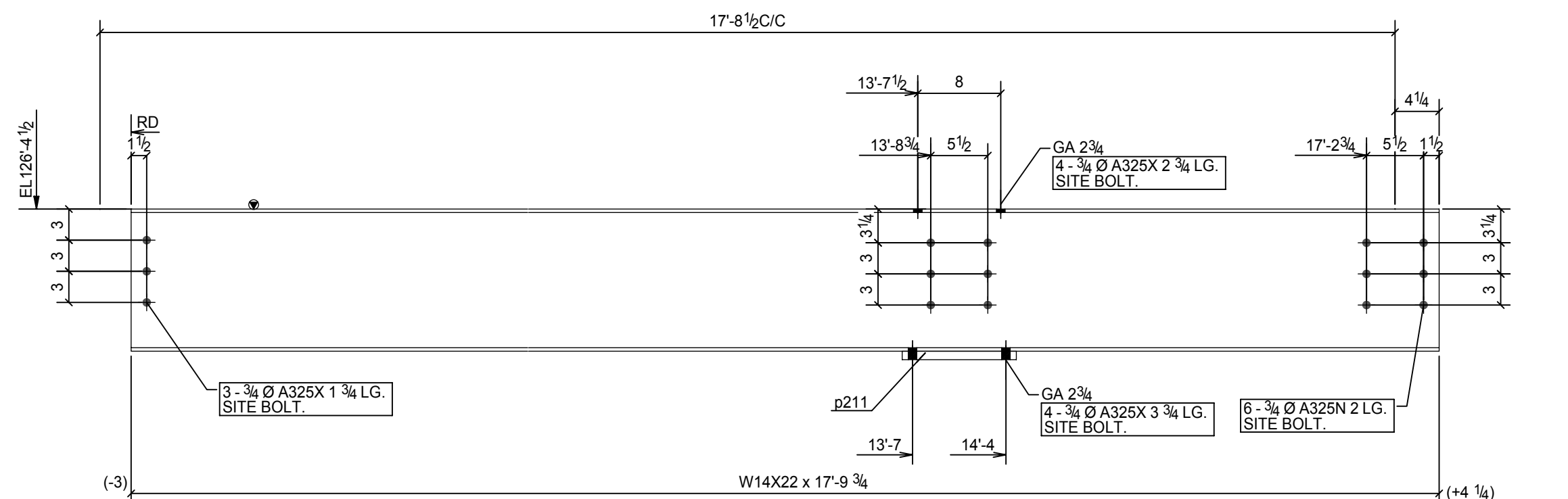
**2 - BEAMS - 53B1**  
(ANGLE 3 1/2 LEG WELDED WITH BEAMS)



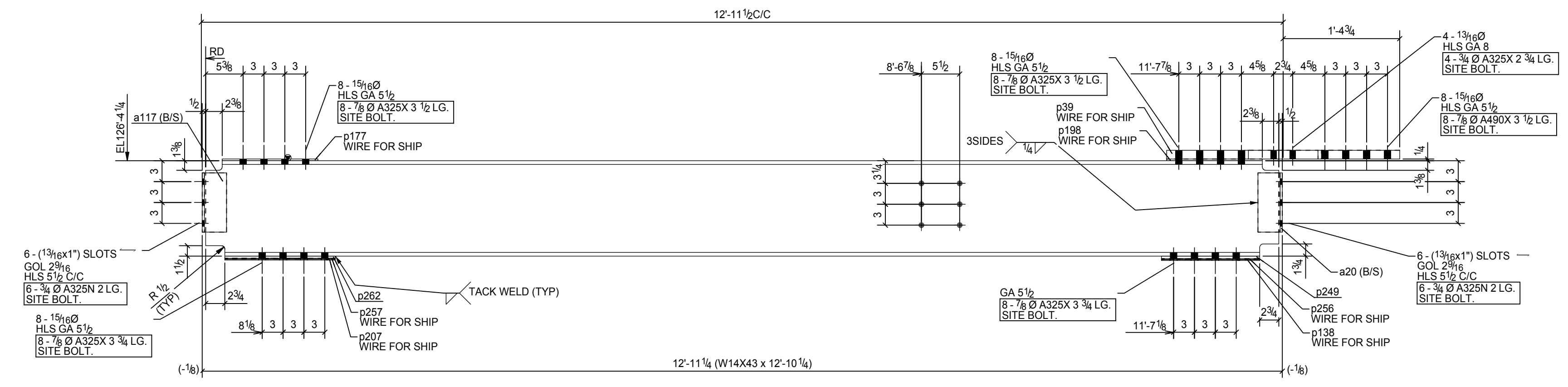
**ONE - BEAM - 53B3**



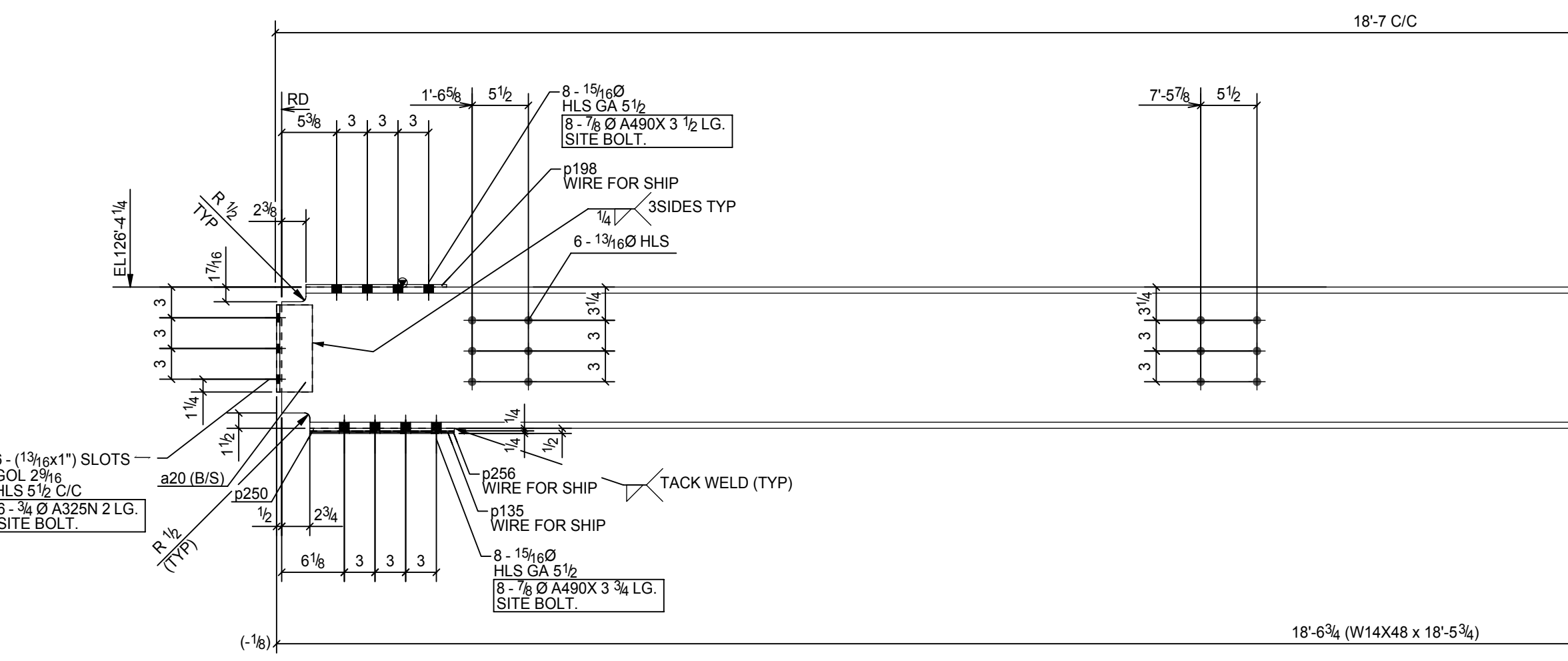
**ONE - BEAM - 53B2**  
(ANGLE 3 1/2 LEG WELDED WITH BEAM)



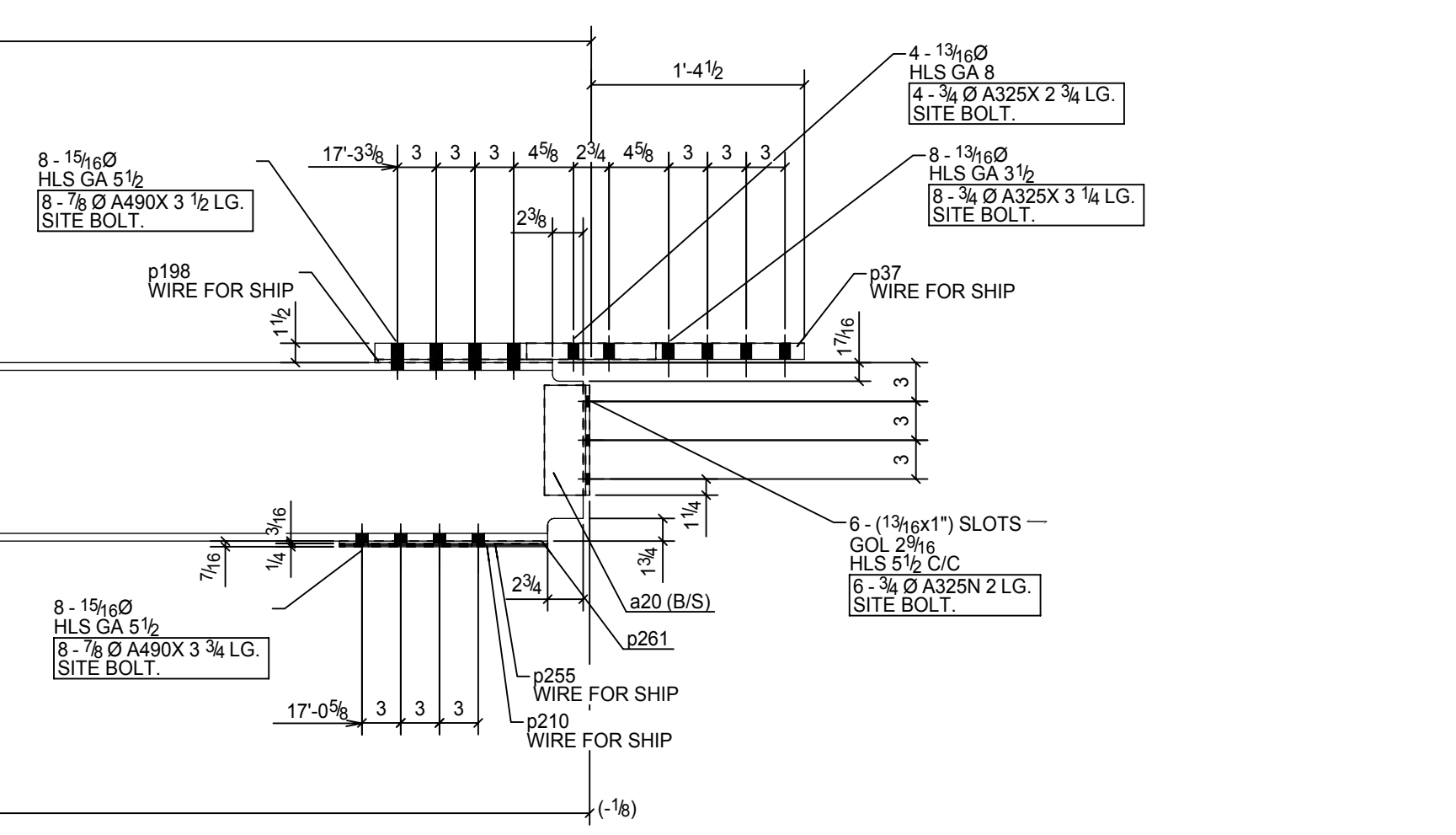
**ONE - BEAM - 53B6**



**ONE - BEAM - 53B4**  
(ANGLE 3 1/2 LEG WELDED WITH BEAM)



**ONE - BEAM - 53B5**  
(ANGLE 3 1/2 LEG WELDED WITH BEAM)



SEQ.				BILL OF MATERIAL						
A	B	C	D	SHIP MARK	PIECE MARK	QTY.	DESCRIPTION	LENGTH	GRADE	REMARKS
2	0	0	0	53B1		2	W12X26	14'-1 1/8"	A992	NO PAINT
					a19	8	L4X3-1/2X3/8	0'-8 1/2"	A36	
1	0	0	0	53B2		1	W12X26	14'-1 3/16"	A992	NO PAINT
					a53	2	L4X3-1/2X3/8	0'-8 1/2"	A36	
					a54	2	L4X3-1/2X3/8	0'-8 1/2"	A36	
1	0	0	0	53B3		1	W14X22	17'-9 3/4"	A992	NO PAINT
					p209	1	PL7/8X5	0'-11"	A36	
1	0	0	0	53B4		1	W14X43	12'-10 1/4"	A992	NO PAINT
					a20	2	L4X3-1/2X5/16	0'-8 1/2"	A36	
					a117	2	L4X3-1/2X5/16	0'-8 1/2"	A36	
					p39	1	PL1 1/4X11	2'-9 1/2"	A36	
					p138	1	PL1/8X8 1/2	1'-2 1/8"	A36	
					p177	1	PL1/4X8	1'-1 3/4"	A36	
					p198	1	PL1/4X8	1'-1 3/4"	A36	
					p207	1	PL1/8X8 1/2	1'-3 7/8"	A36	
					p249	1	PL3/8X8	1'-2 1/8"	A36	
					p256	1	PL1/8X8 1/2	1'-2 1/8"	A36	
					p257	1	PL1/8X8 1/2	1'-3 7/8"	A36	
					p262	1	PL5/16X8	1'-3 7/8"	A36	
1	0	0	0	53B5		1	W14X48	18'-5 3/4"	A992	NO PAINT
					a20	4	L4X3-1/2X5/16	0'-8 1/2"	A36	
					p37	1	PL1 1/4X11	2'-9 1/4"	A36	
					p135	1	PL1/8X8 1/2	1'-2 1/8"	A36	
					p198	2	PL1/4X8	1'-1 3/4"	A36	
					p210	1	PL1/8X8 1/2	1'-4 1/8"	A36	
					p250	1	PL1/4X8	1'-2 1/8"	A36	
					p255	1	PL1/8X8 1/2	1'-4 1/8"	A36	
					p256	1	PL1/8X8 1/2	1'-2 1/8"	A36	
					p261	1	PL3/16X8	1'-4 1/8"	A36	
1	0	0	0	53B6		1	W14X22	17'-9 3/4"	A992	NO PAINT
					p211	1	PL13/16X5	0'-11"	A36	

NOTE:  
1. NO PAINT

**SHOP NOTES**

- 1) ALL HOLES 13/16 Dia U.N.O.
- 2) E70XX ELECTRODES
- 3) MATERIAL A36 UNO

REV.	DATE	DESCRIPTION
B		ISSUED FOR FABRICATION
A		ISSUED FOR APPROVAL

Detailer: **D & A TECHNICAL SERVICES, INC.**  
LAUREL, MARYLAND PH: 3012725593 FAX: 2402355302

ISSUED For	Date	Ref. Dwg.	E1	Dwg. Description
APPROVAL		Project:		BEAM DETAILS
FABRICATION		Location:		
		Customer:		
		Arch:		
		Detailed By:		
		Checked By:		