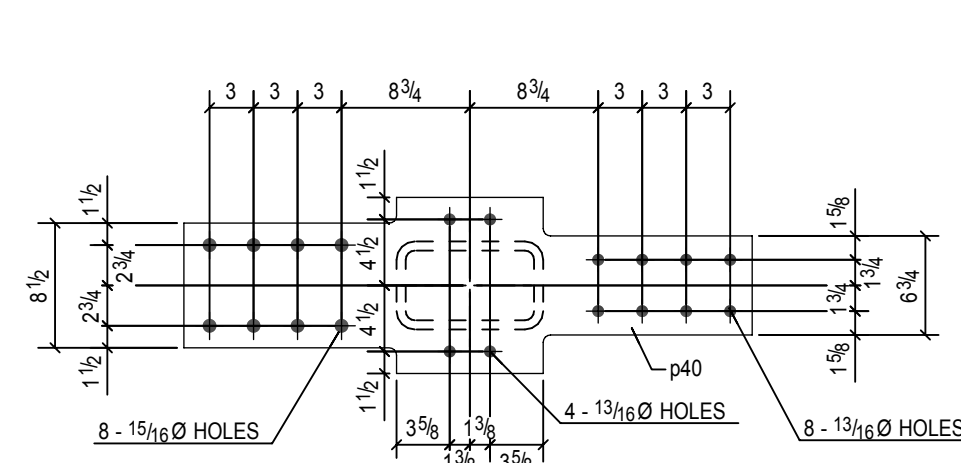
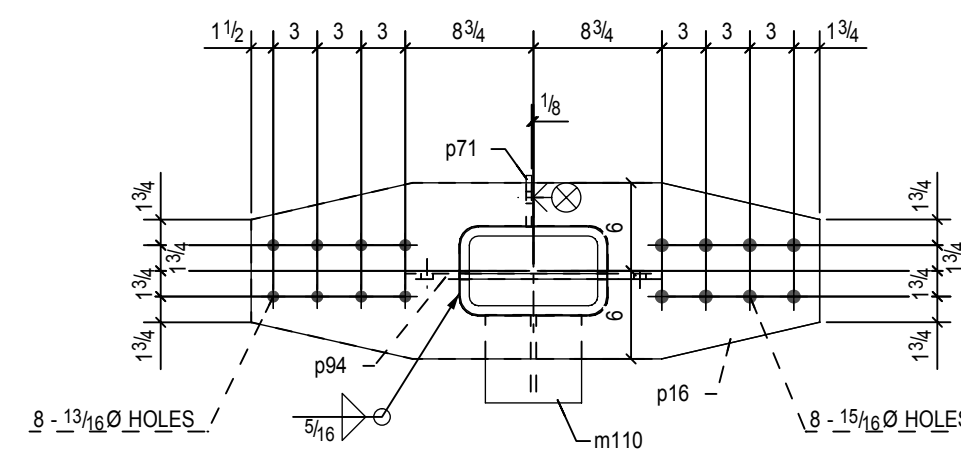


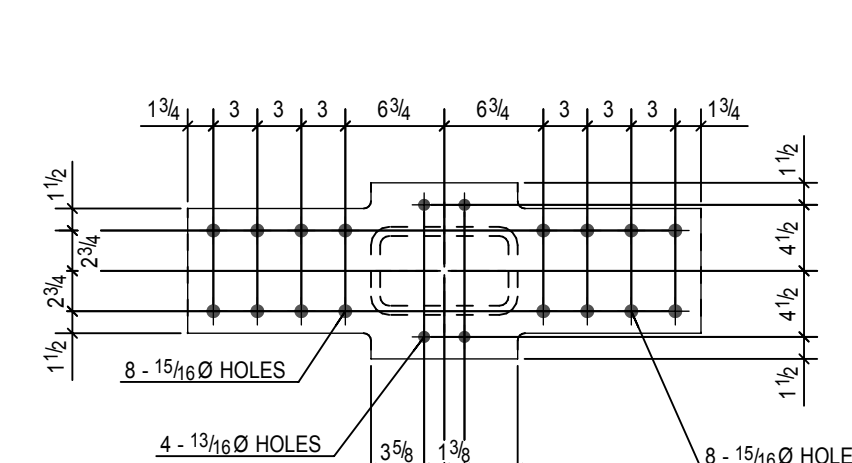
B-B



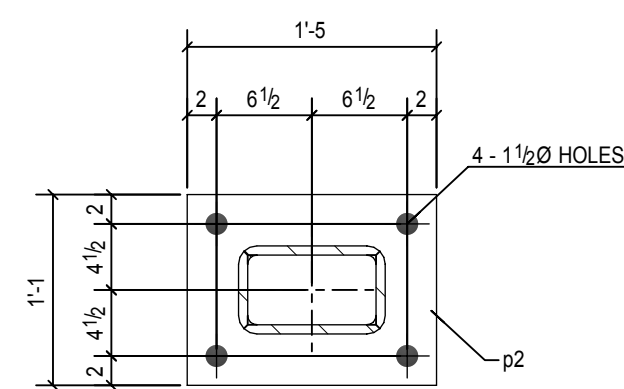
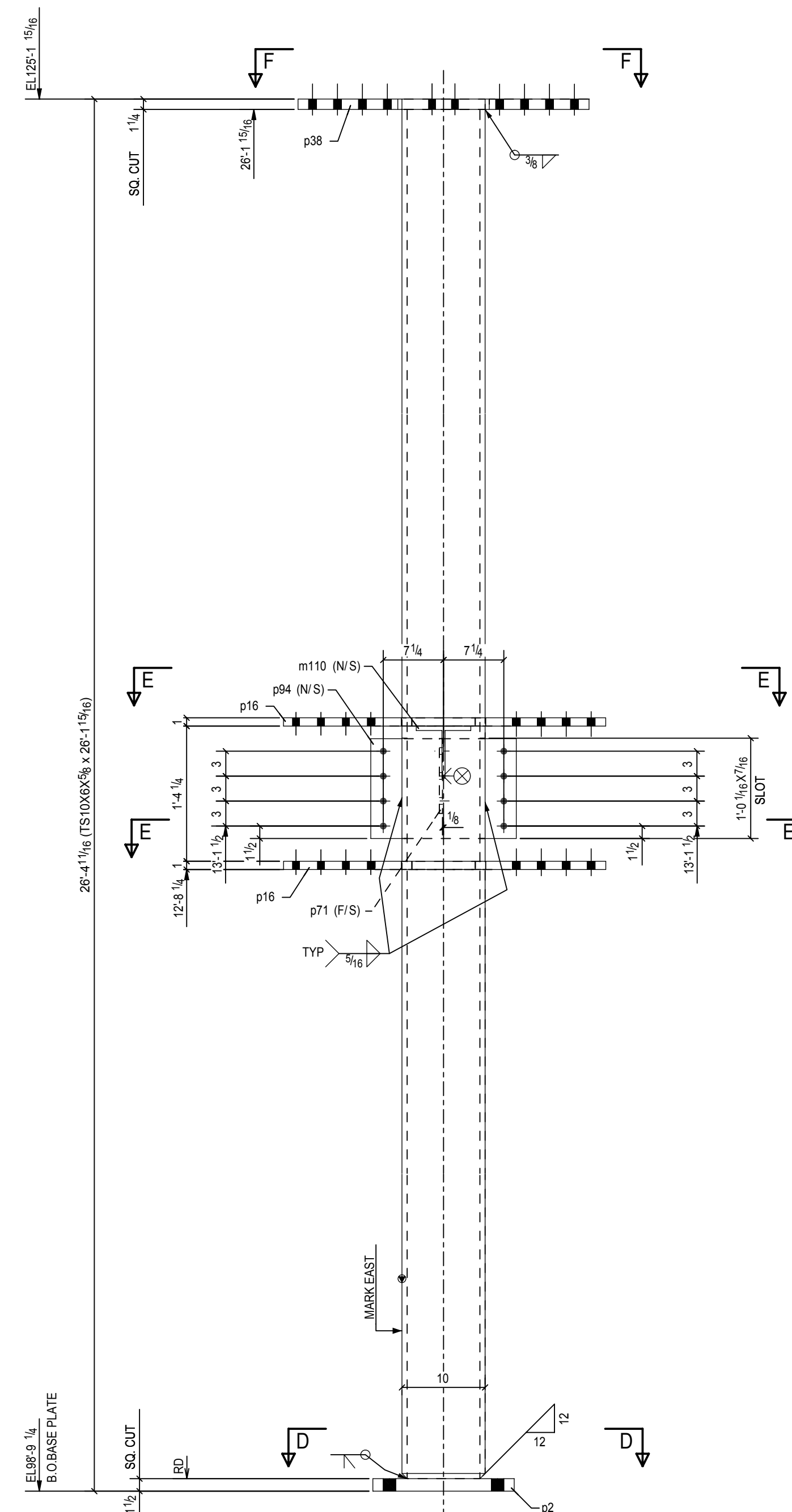
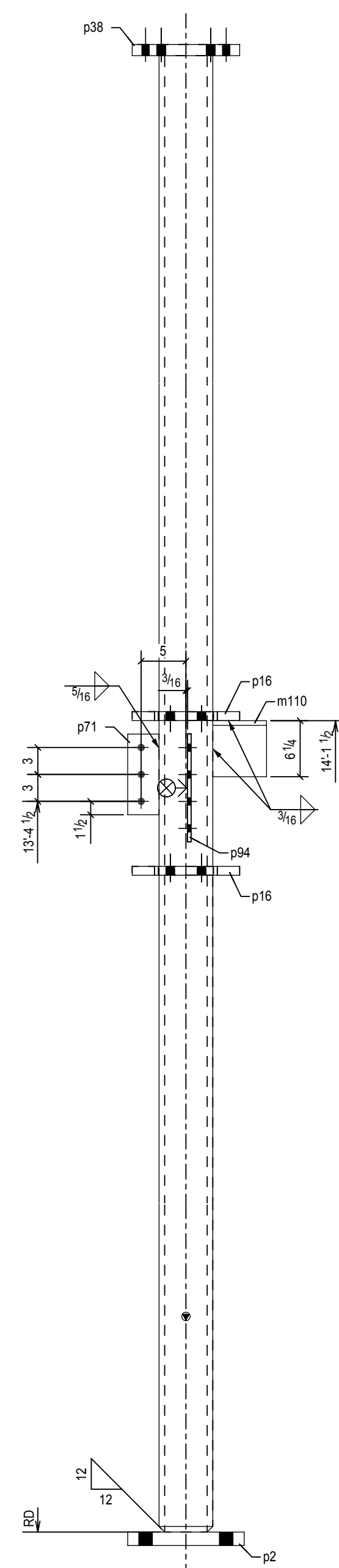
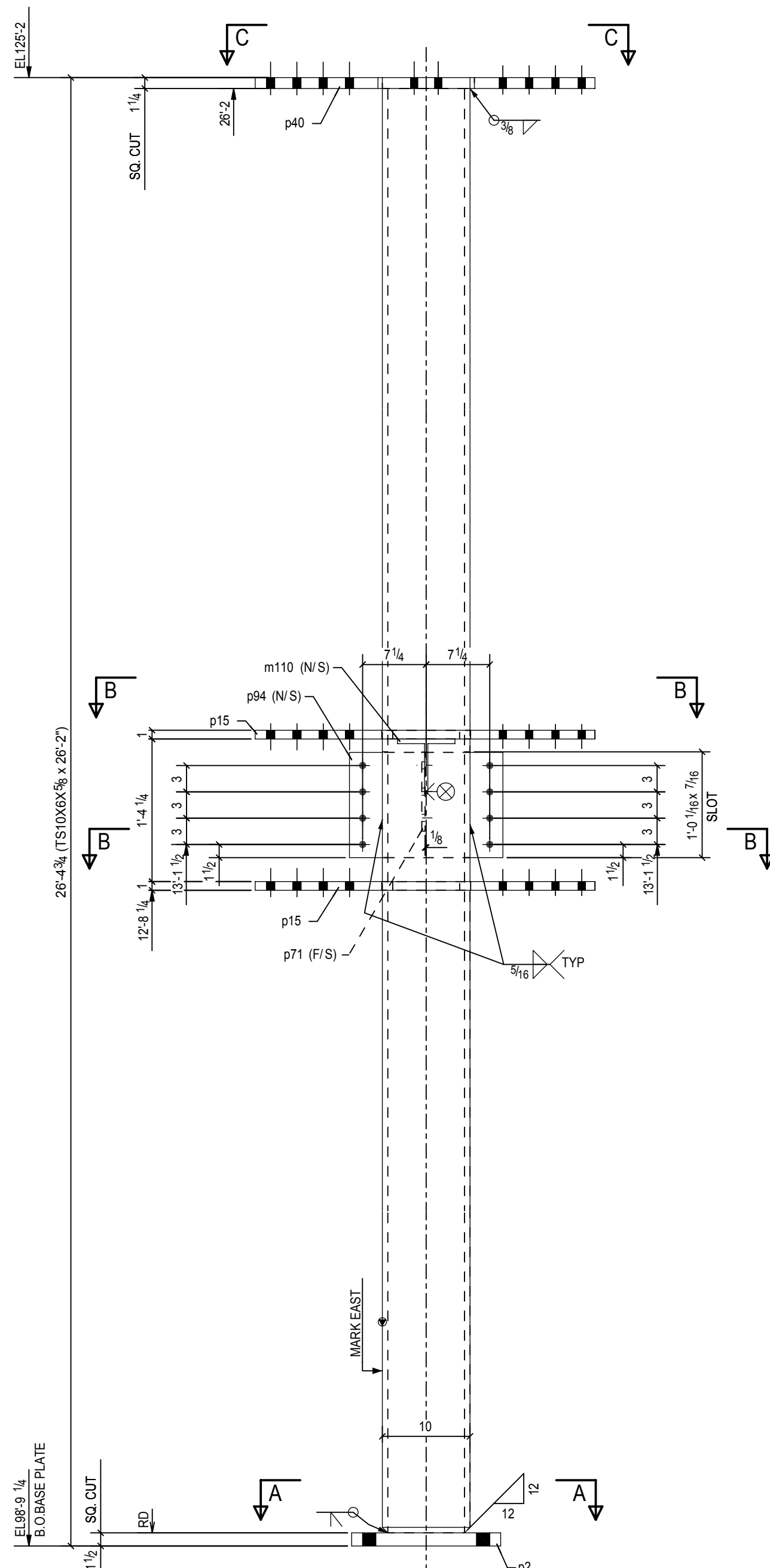
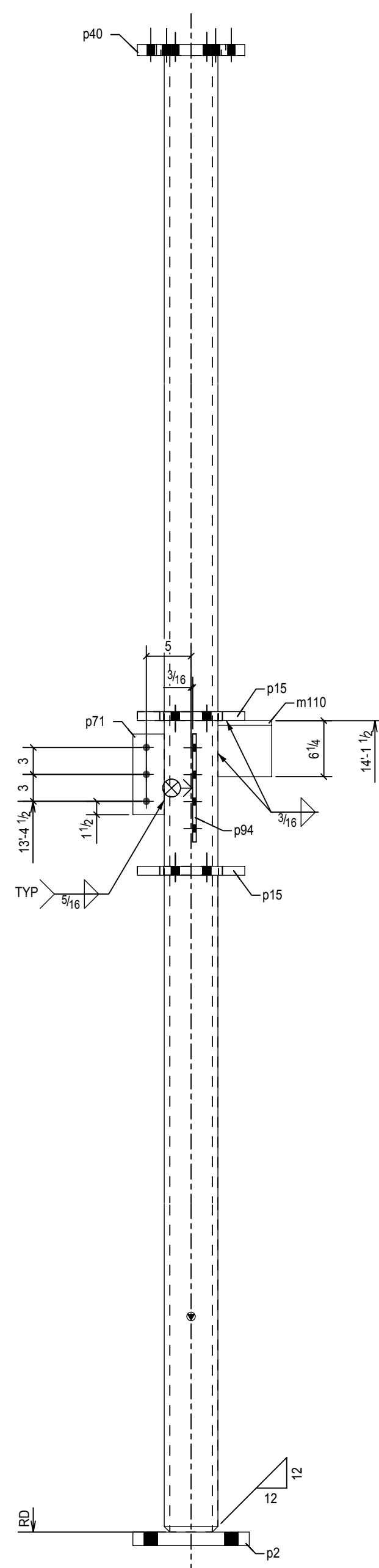
C-C



E-E

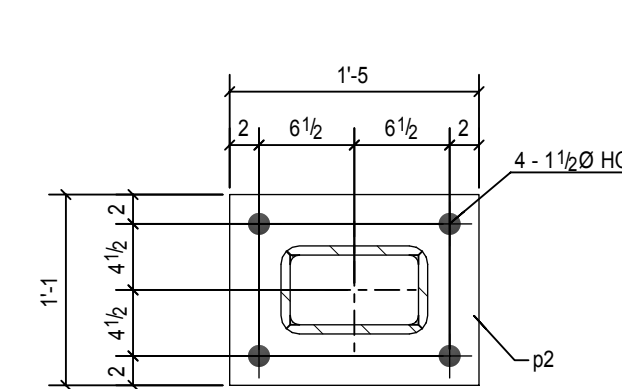


F-F



A-A

ONE - COLUMN - 16C1



D-D

ONE - COLUMN - 16C2

SEQ.				BILL OF MATERIAL						
A	B	C	D	SHIP MARK	PIECE MARK	QTY.	DESCRIPTION	LENGTH	GRADE	REMARKS
1	0	0	0	16C1		1	TS10X6X8	26'-2"	A500-GR.B	NO PAINT
					m110	1	WT6X17.5	0'-6"	A992	
					p2	1	PL1 1/2X13	1'-5"	A36	
					p15	2	PL1 X12	3'-2 3/4"	A36	
					p40	1	PL1 1/4X12	3'-2 3/4"	A36	
					p71	1	PL3/8X3 1/2	0'-9"	A36	
					p94	1	PL3/8X12	1'-5 1/2"	A36	
1	0	0	0	16C2		1	TS10X6X8	26'-1 15/16"	A500-GR.B	NO PAINT
					m110	1	WT6X17.5	0'-6"	A992	
					p2	1	PL1 1/2X13	1'-5"	A36	
					p16	2	PL1 X12	3'-2 3/4"	A36	
					p38	1	PL1 1/4X12	2'-11"	A36	
					p71	1	PL3/8X3 1/2	0'-9"	A36	
					p94	1	PL3/8X12	1'-5 1/2"	A36	

NOTE :  
1. NO PAINT

- SHOP NOTES  
1) ALL HOLES 13/16 Dia U.N.O.  
2) E70XX ELECTRODES  
3) MATERIAL A36 UNO

REV.	DATE	DESCRIPTION
B		ISSUED FOR FABRICATION
A		ISSUED FOR APPROVAL

Detailer			
<b>D &amp; A TECHNICAL SERVICES, INC.</b>			
LAUREL, MARYLAND PH: 3012725593 FAX: 2402355302			
ISSUED For	Date	Ref. Dwg.	Dwg. Description
APPROVAL		E1 & E2	COLUMN DETAILS
FABRICATION		Project:	
		Location:	
		Customer:	
		Arch :	
	Drawn By	SB	Job No.
	Checked By	BP	Dwg. No.
			Rev. B