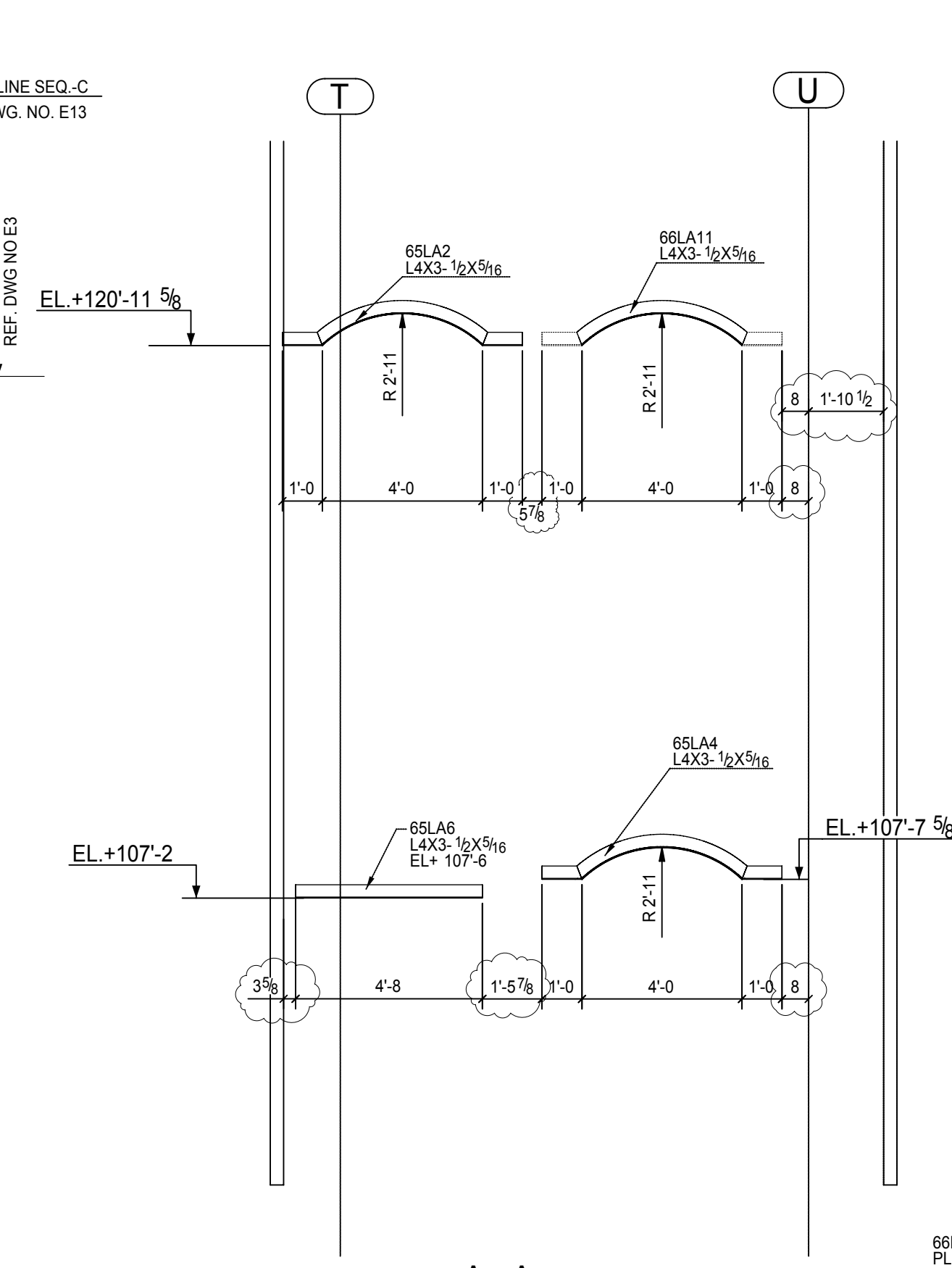
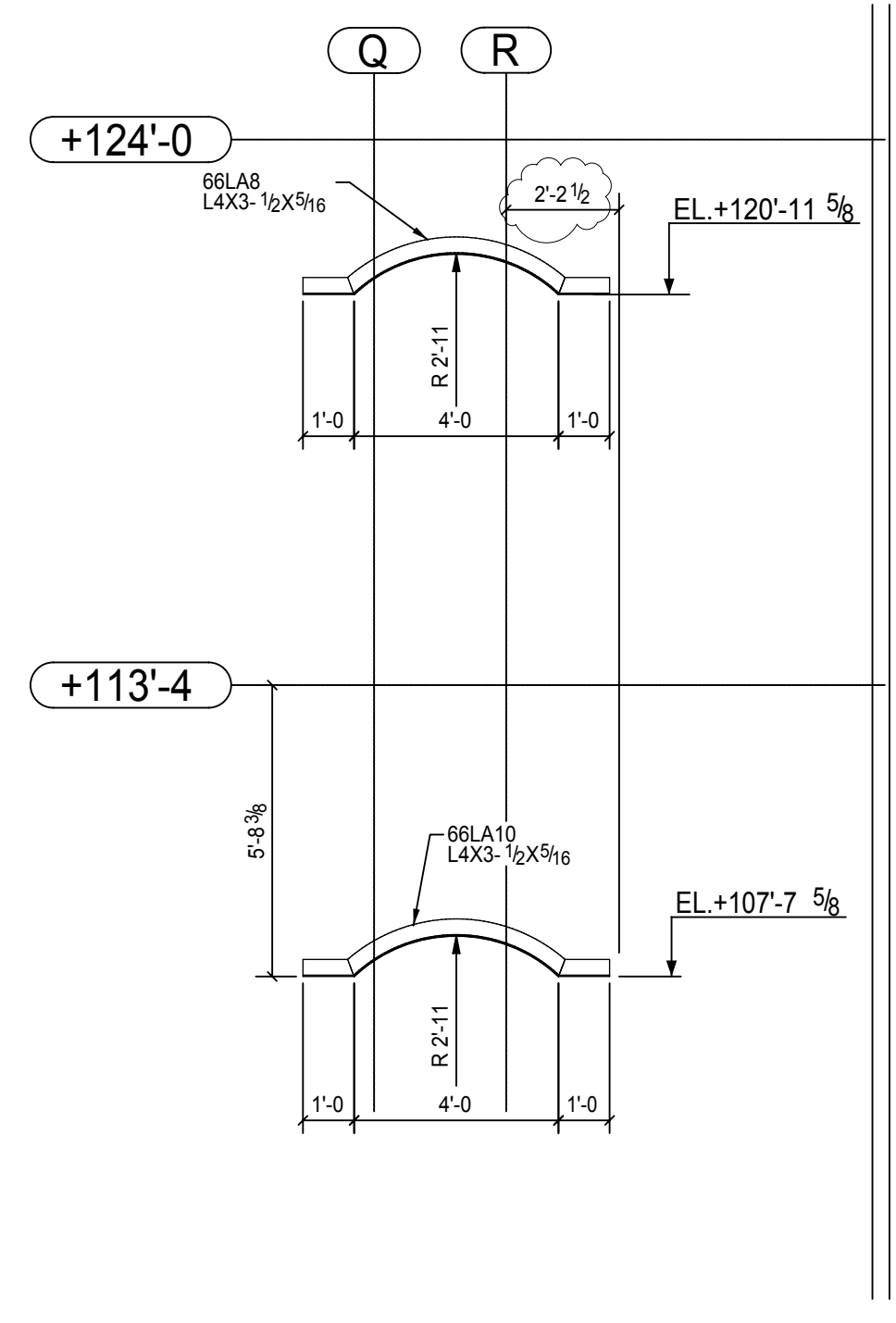


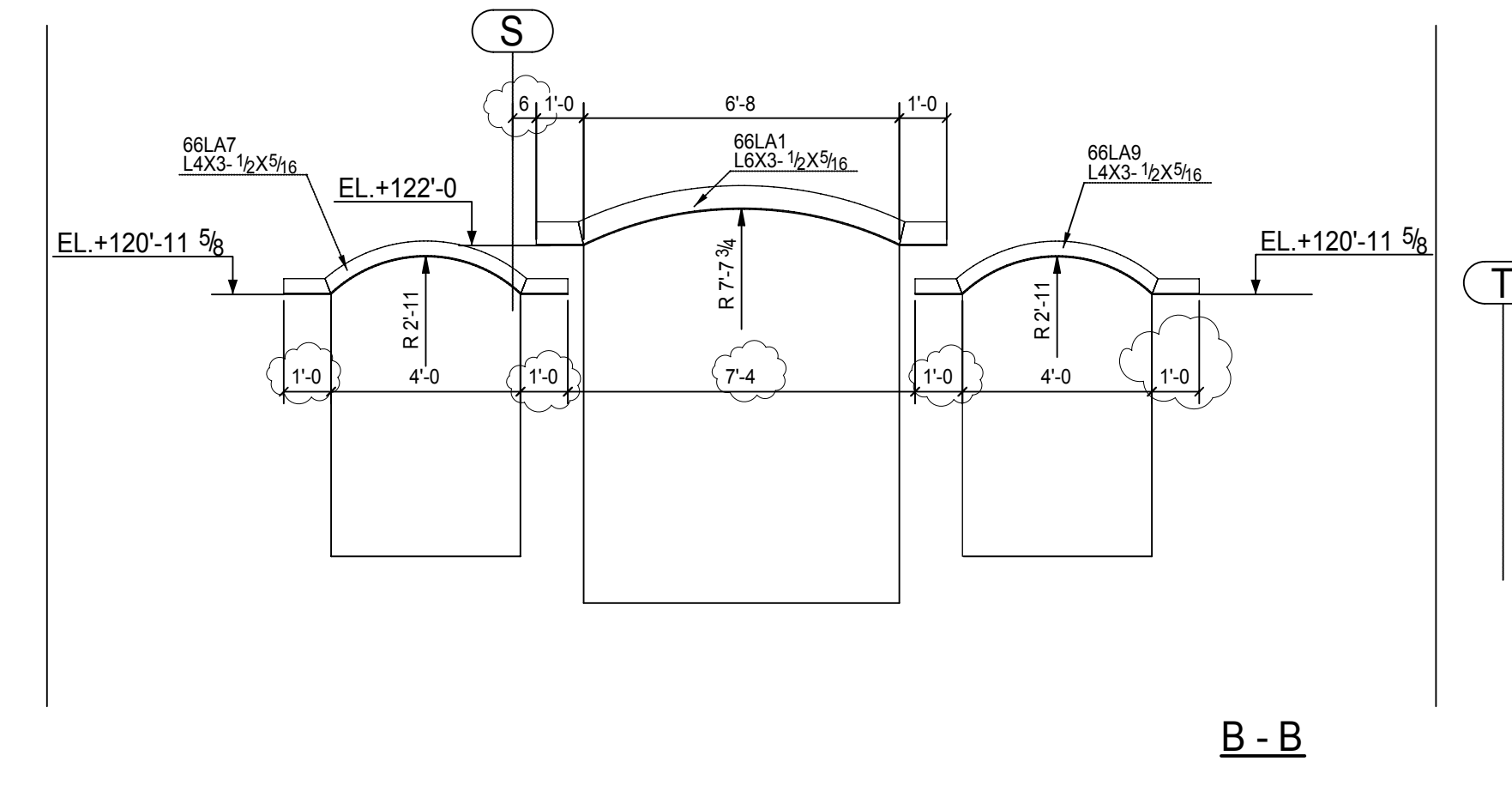
ROOF LEVEL LINTEL EMBED & MISC. FRAMING PLAN(SEQ.-A)



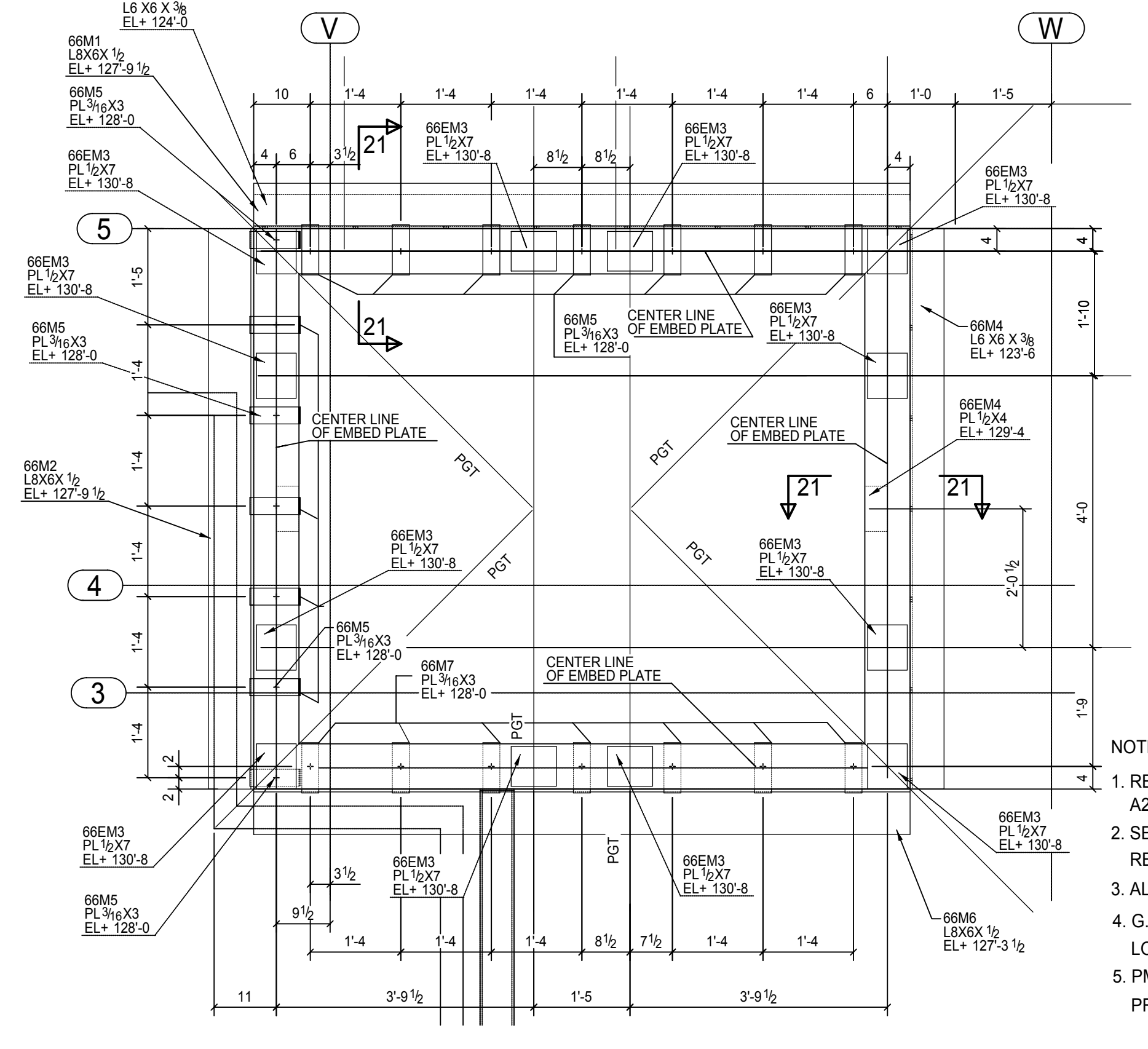
A-A



C-C



B-B



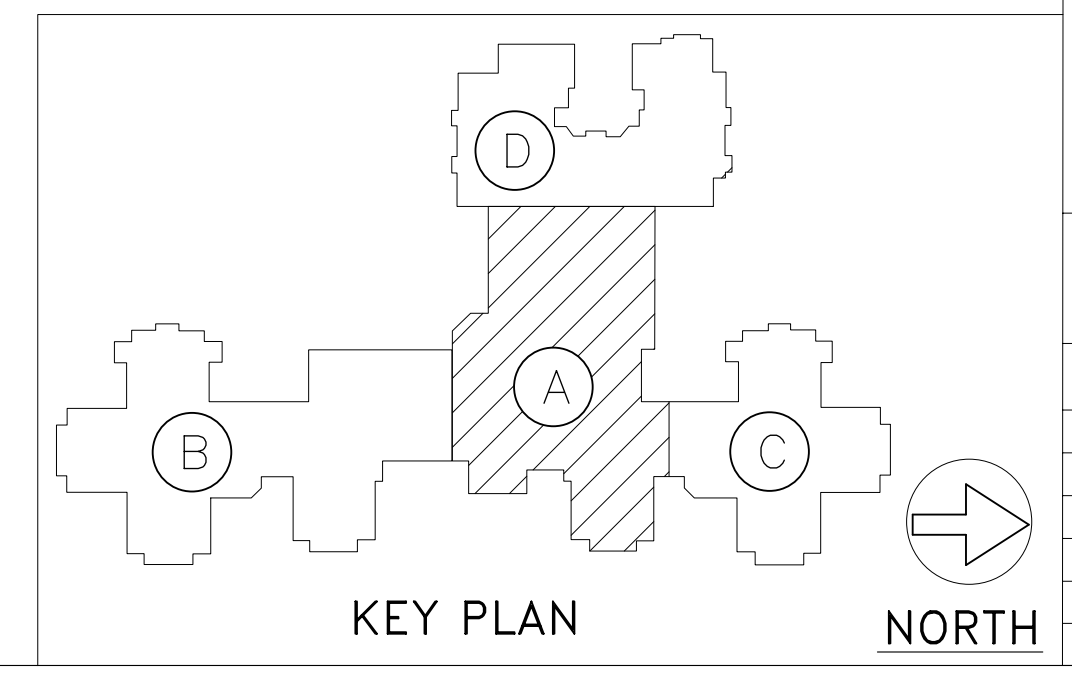
DETAIL-3

NOTE:-
GC PLEASE VERIFY COORDINATE ALL EMBED POSITIONS/ EL. WITH RELEVANT PGT,PMT,PMP & PBT TRUSS MANUFACTURER DWG.

- NOTE:-
1. REF. DESIGN DWG NO S3.1B,S3.1C,S6.1,S6.2 A2.16,A2.1C,A8.4,A8.5 & A8.6
 2. SECTION NO 21-21,23,24,25 & 26 REFERENCE DWG NO E16,E17,18
 3. ALL CLOUDED PORTION TO BE VERIFY BEFORE ERECTION
 4. G.C./ERECTOR PLEASE COORDINATE LINTEL OPENINGS, LOCATION & ELEVATION WITH ARCHITECTURAL DRAWINGS.
 5. PMT, PGT, PMP & PBT LOCATION & SPACING REF. BY PRE-ENGINEERED METAL SUPPLIER DWGS.

REV.		DATE	DESCRIPTION
A			ISSUED FOR APPROVAL
B			ISSUED FOR FIELD USE

Detailer: D & A TECHNICAL SERVICES, INC. LAUREL, MARYLAND PH: 3012725593 Fax:2402355302			
ISSUE FOR	DATE	Ref. Dwg	Dwg. Description
APPROVAL		Project:	ROOF LEVEL LINTEL EMBED & MISC. FRAMING PLAN(SEQ.-A)
APPROVAL		Location:	
		Customer:	
		Arch:	
		Detailed By:	Date:
		Checked By:	Date:
		Job No.	Dwg. No.
			E11



KEY PLAN

NORTH