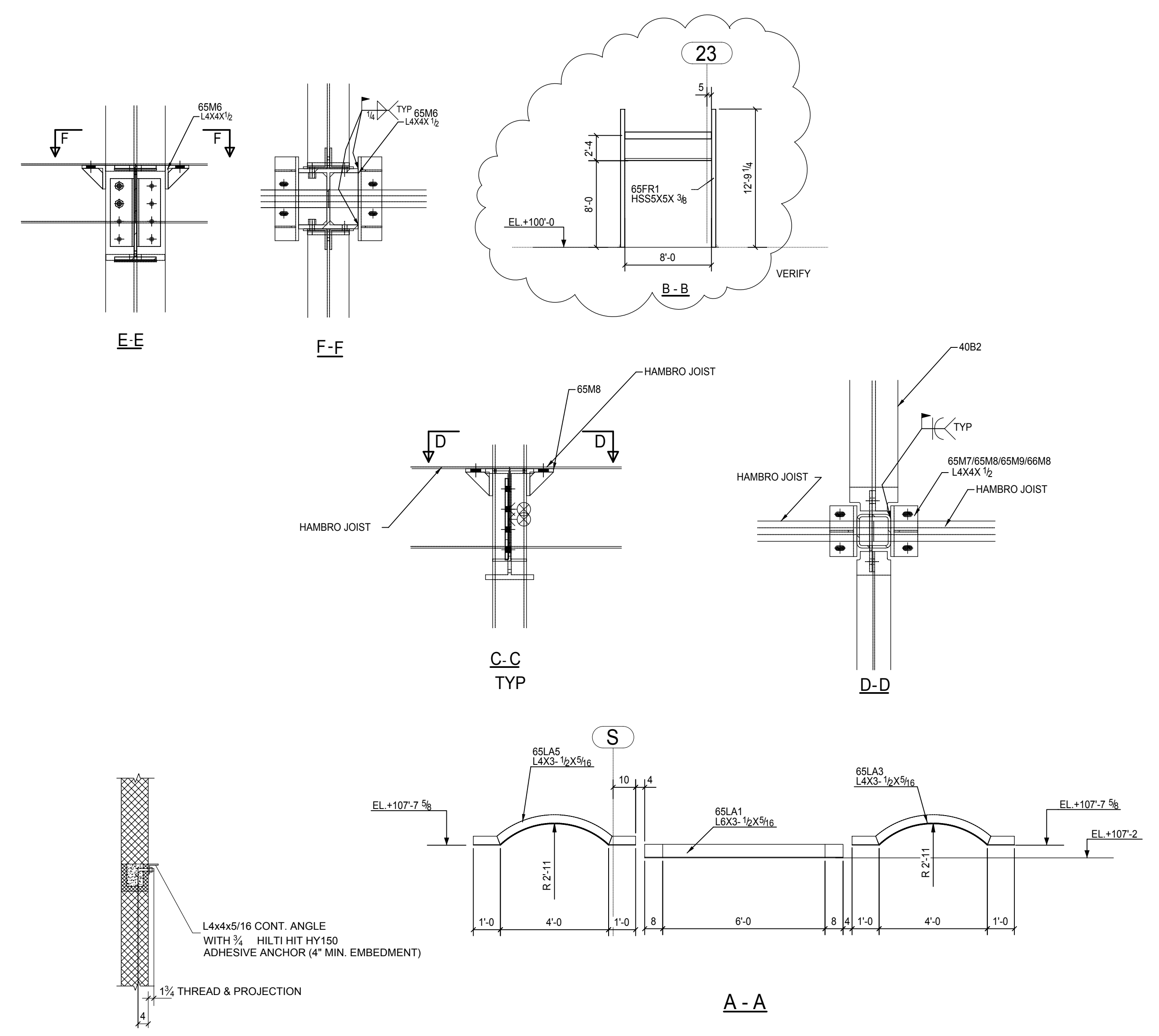


MAIN LEVEL LINTEL EMBED & MISC PLAN SEQ. A

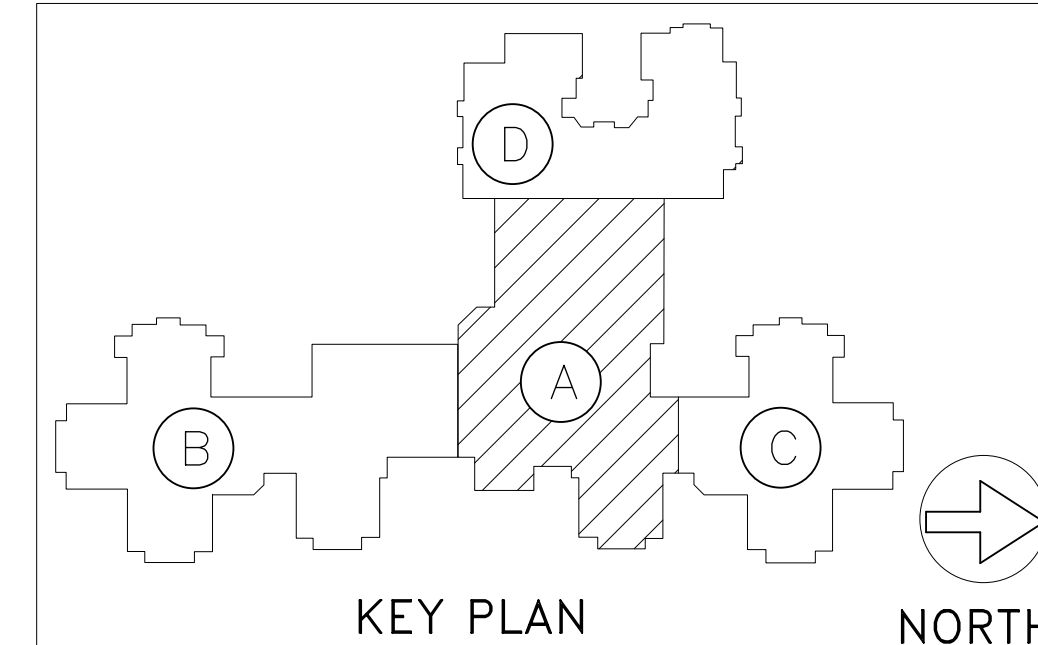


- NOTE
1. REF. DESIGN DWG. NO S2.1B, S6.1, S6.2, A2.06, A8.4, A8.5 & A8.6
  2. ALL CLOUDED PORTIONS TO BE VERIFY BEFORE ERECTION
  3. G.C./ERECTOR PLEASE COORDINATE LINTEL OPENINGS, LOCATION & ELEVATION WITH ARCHITECTURAL DRAWINGS.
  4. FOR SECTION REF E14

SHOP NOTES

- 1) ALL HOLES 13/16 Dia U.N.O.
- 2) E70XX ELECTRODES
- 3) MATERIAL A36 UNO

REV.	DATE	DESCRIPTION
A		ISSUED FOR APPROVAL
B		ISSUED FOR FIELD USE



KEY PLAN NORTH

Detailer: **D & A TECHNICAL SERVICES, INC.**  
 LAUREL, MARYLAND PH: 3012725593 Fax: 2402355302

ISSUE FOR	DATE	Ref. Dwg.	Dwg. Description
APPROVAL			MAIN LEVEL LINTEL EMBED & MISC PLAN SEQ. A
APPROVAL		Project:	
APPROVAL		Location:	
		Customer:	
		Arch:	
		Detailed By:	Date:
		Checked By:	Date:

Job No. Dwg. No. Rev. No. E8