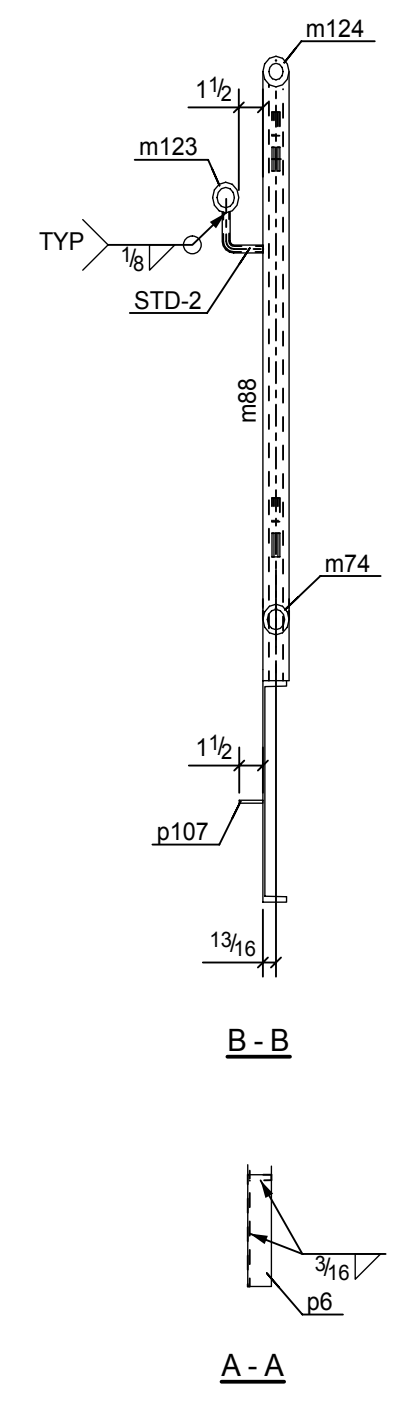
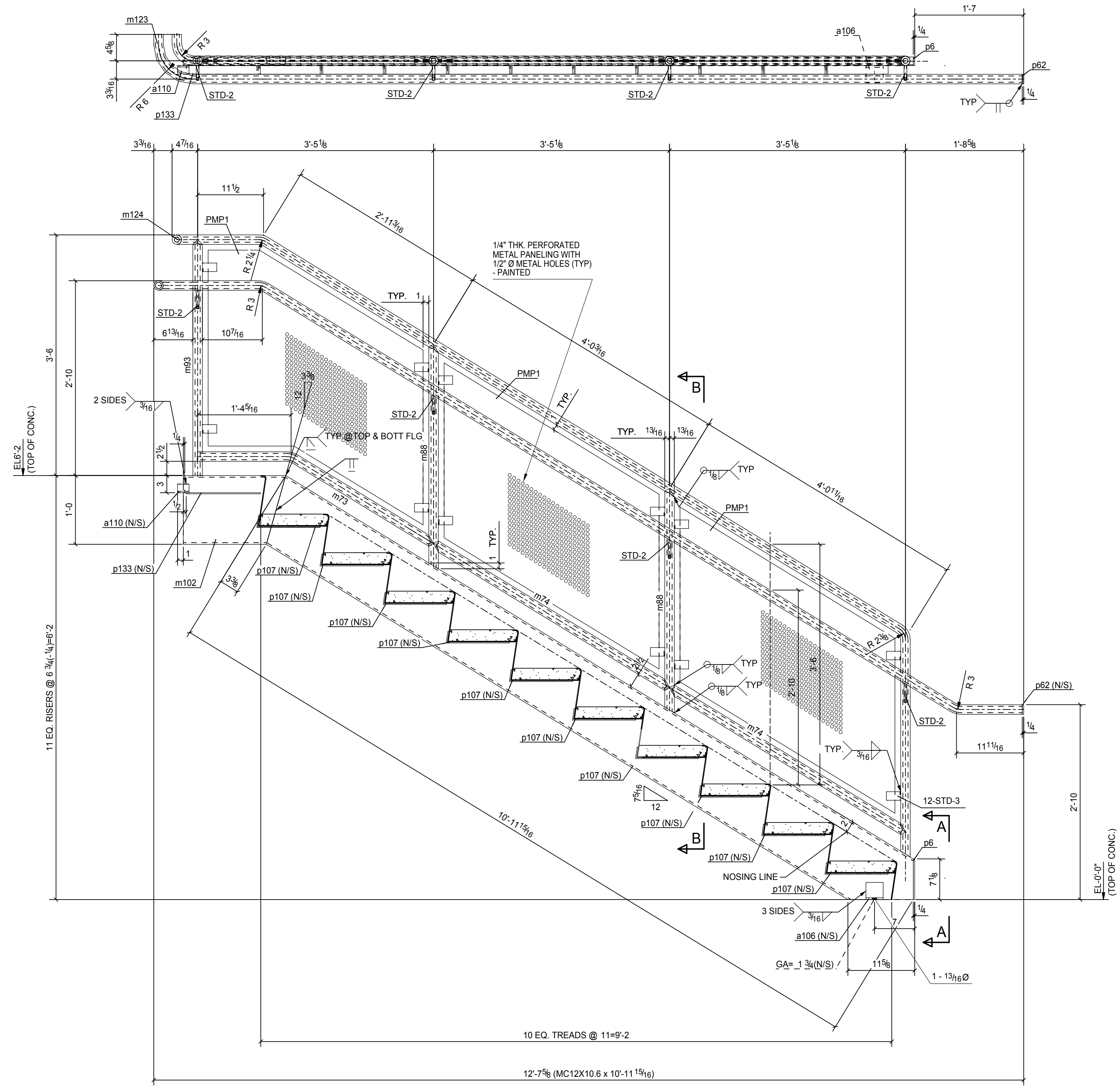


BILL OF MATERIAL

MARK	QTY	DESCRIPTION	LENGTH	WEIGHT	REMARKS
86ST1	1	STRINGER			
	1	MC12X10.6	10'-11 15/16"	116	A36
STD-2	4	STANDARD BRACKET			
a106	1	L3X3X5/16	0'-3"	2	A36
a110	1	L1-12X1-12X1/4	0'-2"	0	A36
m73	1	PIPE1-1/4SCH40	3'-9 7/16"	8	A53
m74	2	PIPE1-1/4SCH40	4'-0 3/16"	17	A53
m87	1	PL1/4"x28"	4'-11 13/16"	81	A36
m88	2	PIPE1-1/4SCH80	3'-3 3/16"	18	A53
m93	1	PIPE1-1/4SCH80	3'-5 3/16"	10	A53
PMP1	3	1/4 TH PERFORATED METAL PANELS			
m102	1	MC12X10.6	1'-5 7/8"	16	A36
m123	1	PIPE1-1/4SCH40	14'-8 1/2"	31	A53
m124	1	PIPE1-1/4SCH80	15'-8 9/16"	44	A53
p6	1	PL1/4"x1 1/2"	0'-7 1/8"	1	A36
p62	1	PL1/4"x1 1/16"	0'-1 11/16"	0	A36
p107	10	PL3/16"x1 1/2"	1'-0 5/8"	10	A36
p133	1	PL3/16"x1 1/2"	1'-0 15/16"	1	A36
STD-3	12	STANDARD PERFORATED METAL PANEL CLIP			
TOTAL WEIGHT THIS DRAWING				525	



ONE - STRINGER - 86ST1

REV.	DATE	DESCRIPTION
Detailer: D & A TECHNICAL SERVICES, INC. LAUREL, MARYLAND PH: 3012725593 Fax: 2402355302		
ISSUE FOR	DATE	Ref. Dwg. E14 Dwg. Description STRINGER DETAILS(STAIR-2)
APPROVAL	Project:	
	Location:	
	Customer:	
	Arch:	
	Checked By:	Date:
	Checked By:	Date:
	Job No.	Dwg. No.
	Rev.	