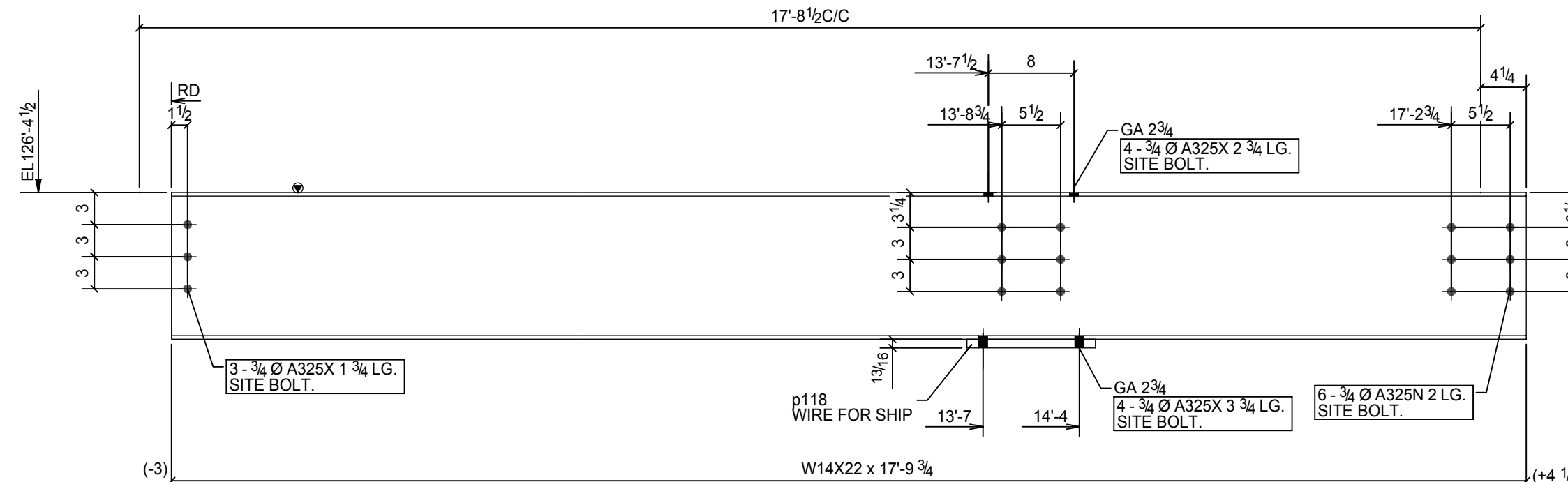
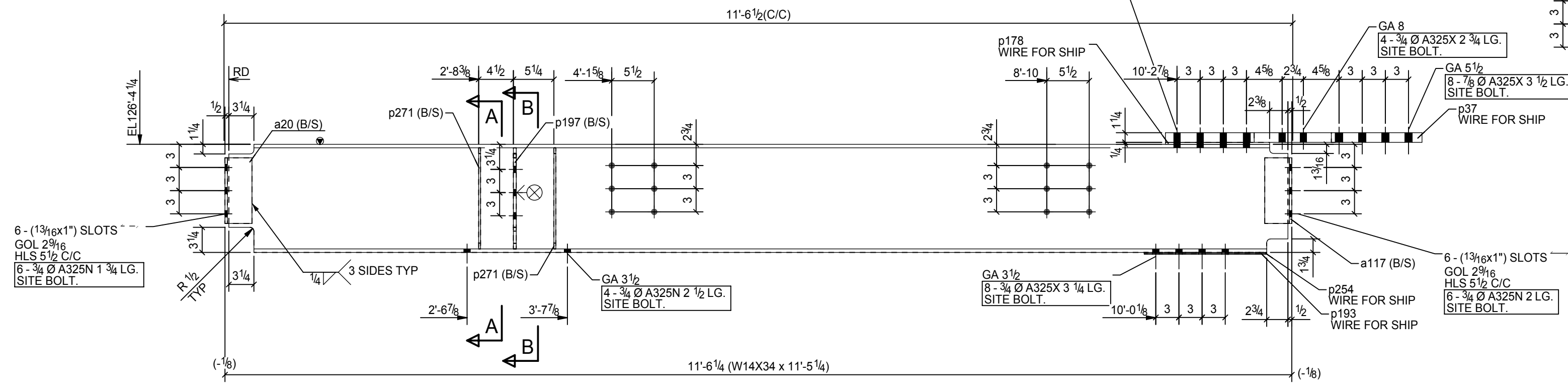


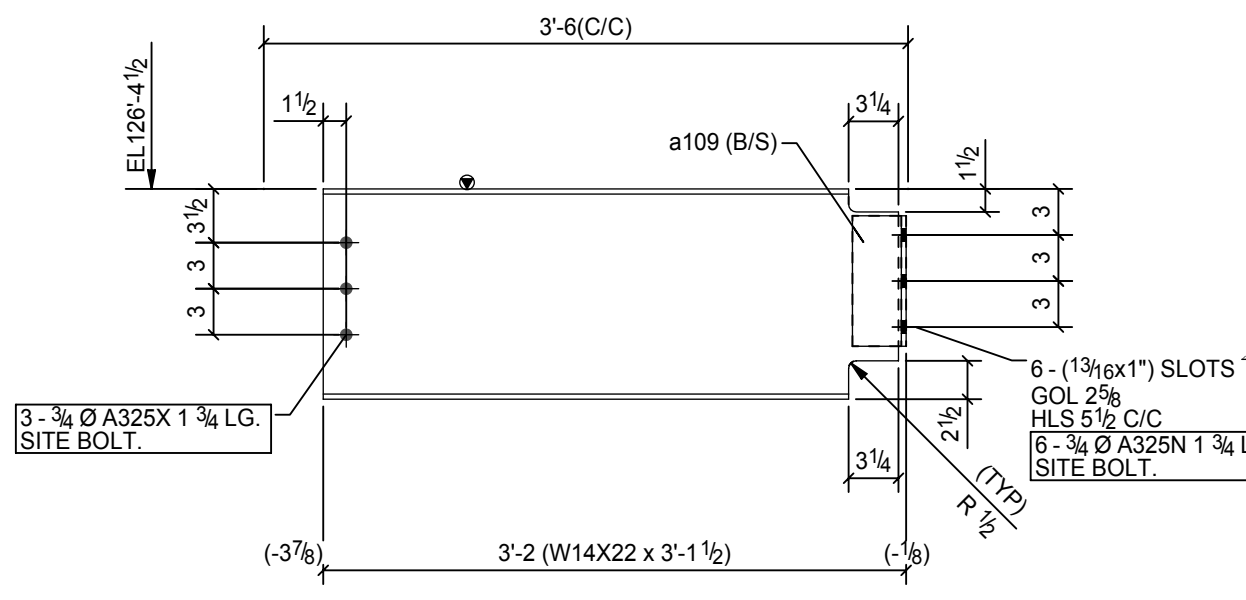
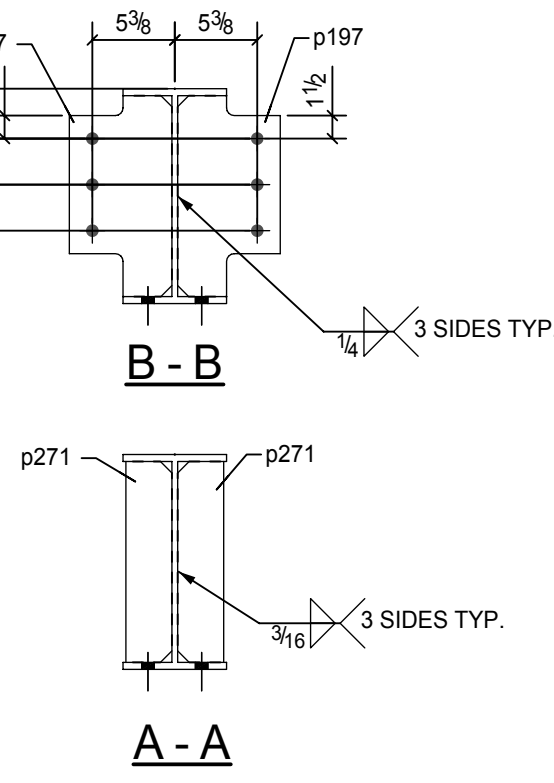
ONE - BEAM - 47B1
(ANGLE 3 1/2 LEG WELDED WITH BEAM)



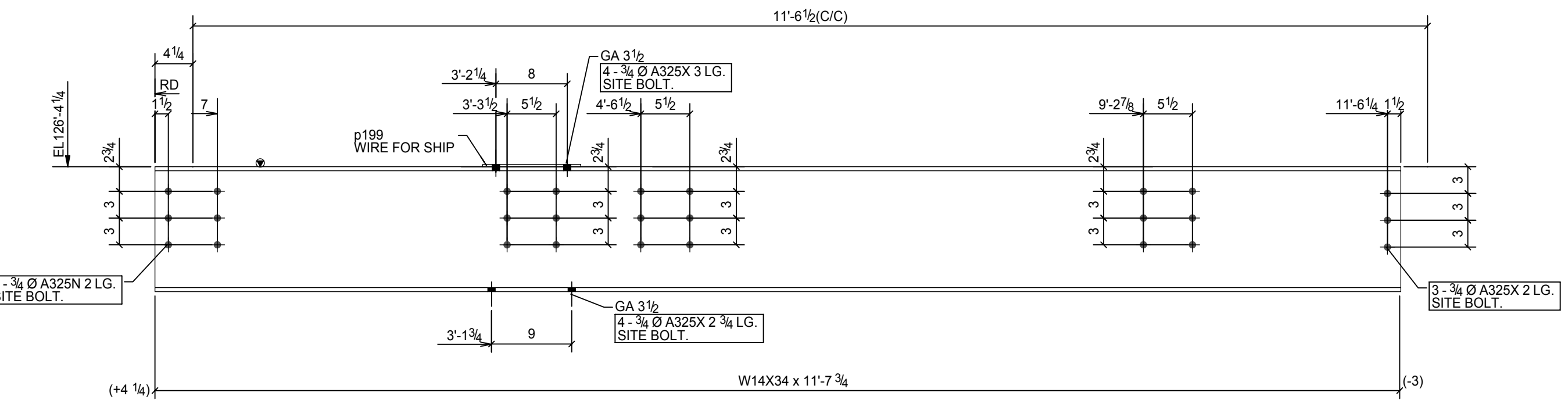
ONE - BEAM - 47B6



ONE - BEAM - 47B2
(ANGLE 3 1/2 LEG WELDED WITH BEAM)

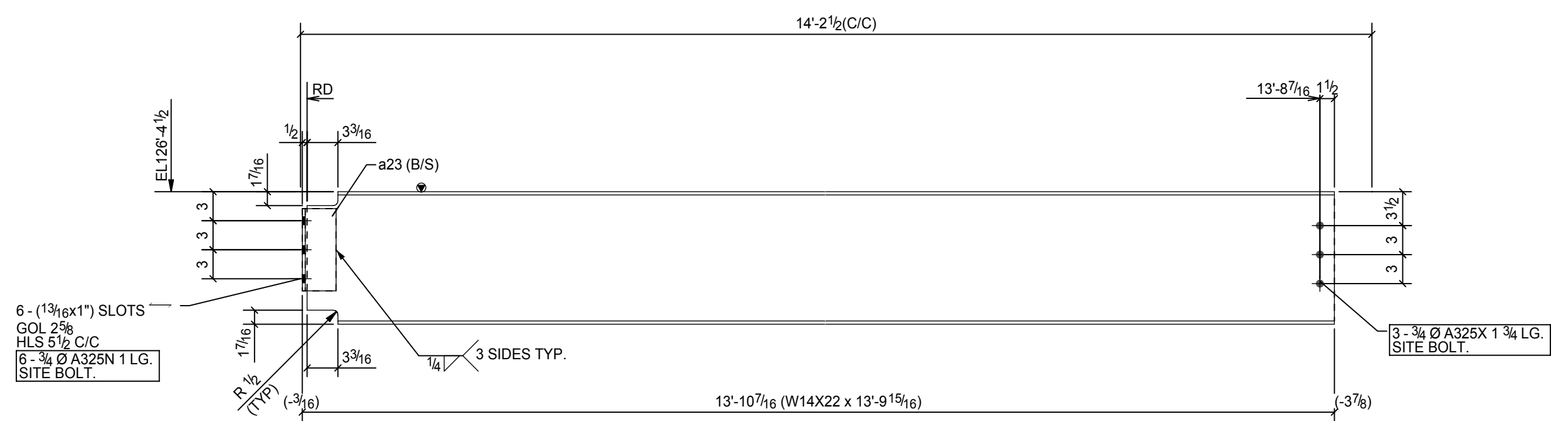


ONE - BEAM - 47B7



2 - BEAMS - 47B3
(ANGLE 3 1/2 LEG WELDED WITH BEAM)

47B4 NOT USED



ONE - BEAM - 47B5
(ANGLE 3 1/2 LEG WELDED WITH BEAM)

SEQ.				BILL OF MATERIAL						
A	B	C	D	SHIP MARK	PIECE MARK	QTY.	DESCRIPTION	LENGTH	GRADE	REMARKS
1	0	0	0	47B1		1	W14X26	11'-7 1/8"	A992	NO PAINT
					a19	4	L4X3-1/2X5/16	0'-8 1/2"	A36	
					p21	1	PL1 X11	1'-5 3/8"	A36	
					p22	1	PL1 X11	1'-4 7/8"	A36	
					p43	1	PL1/8X5 1/2	1'-0 5/16"	A36	
					p44	1	PL1/8X5 1/2	1'-0"	A36	
					p258	2	PL1/8X5 1/2	1'-0"	A36	
					p259	2	PL1/8X5 1/2	1'-0 5/16"	A36	
1	0	0	0	47B2		1	W14X34	11'-5 1/4"	A992	NO PAINT
					a20	2	L4X3-1/2X5/16	0'-8 1/2"	A36	
					a117	2	L4X3-1/2X5/16	0'-8 1/2"	A36	
					p37	1	PL1 1/4X11	2'-9 1/4"	A36	
					p178	1	PL1/4X6 3/4	1'-1 1/2"	A36	
					p193	1	PL1/8X7 1/4	1'-3 7/8"	A36	
					p197	2	PL3/8X6 11/16	1'-1 1/16"	A36	
					p254	1	PL1/8X7 1/4	1'-3 7/8"	A36	
					p271	4	PL1/4X3	1'-1 1/16"	A36	
2	0	0	0	47B3		2	W14X34	11'-7 3/4"	A992	NO PAINT
					p199	2	PL1/4X6 3/4	0'-11"	A36	
1	0	0	0	47B5		1	W14X22	13'-9 15/16"	A992	NO PAINT
					a23	2	L4X3-1/2X5/16	0'-8 1/2"	A36	
1	0	0	0	47B6		1	W14X22	17'-9 3/4"	A992	NO PAINT
					p118	1	PL13/16X5	1'-0"	A36	
1	0	0	0	47B7		1	W14X22	3'-1 1/2"	A992	NO PAINT
					a109	2	L4X3-1/2X5/16	0'-8 1/2"	A36	

NOTE :

- 1. NO PAINT

SHOP NOTES

- 1) ALL HOLES 13/16 Dia U.N.O.
- 2) E70XX ELECTRODES
- 3) MATERIAL A36 UNO

REV.	DATE	DESCRIPTION
B		ISSUED FOR FABRICATION
A		ISSUED FOR APPROVAL

Detailer		D & A TECHNICAL SERVICES, INC. LAUREL, MARYLAND PH: 3012725593 FAX: 2402355302			
ISSUED For	Date	Ref. Dwg.	E1	Dwg. Description	BEAM DETAILS
APPROVAL	Project :				
FABRICATION	Location :				
REVISED	Customer :				
	Arch :				
	Detailed By :				
	Checked By :				
				Job No.	Dwg. No.
					Rev.