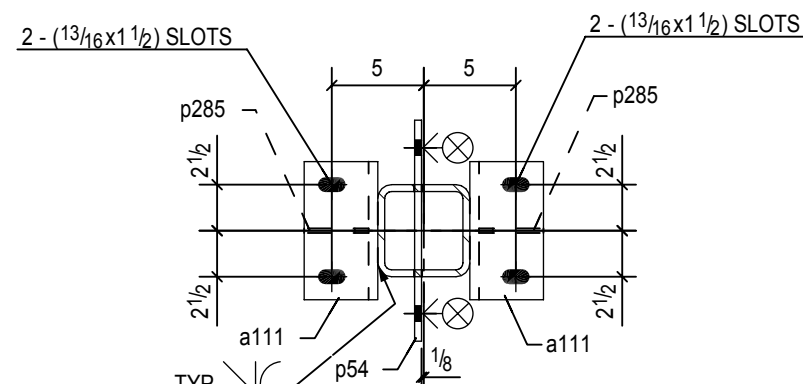
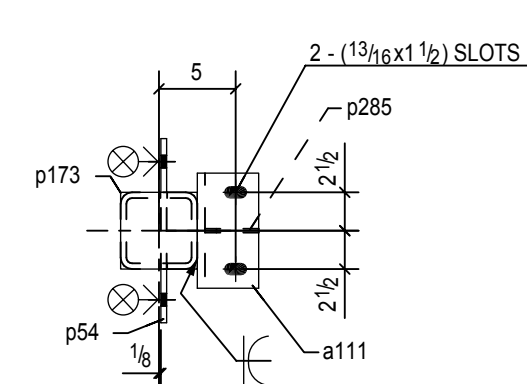


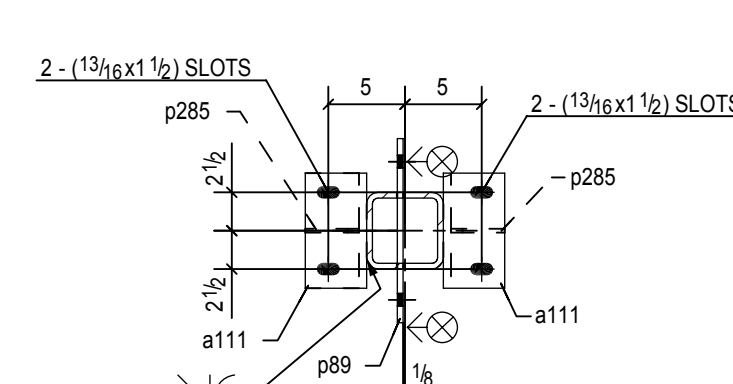
C-C



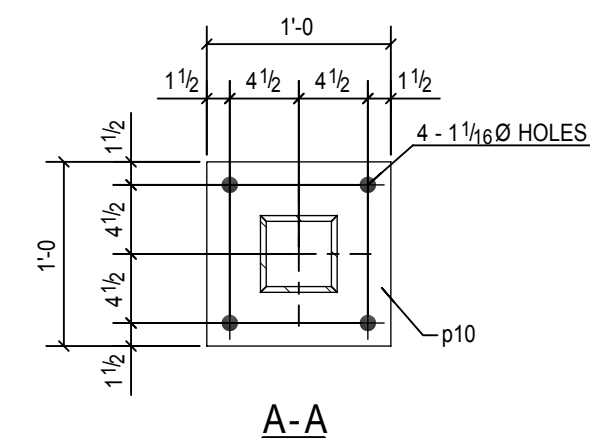
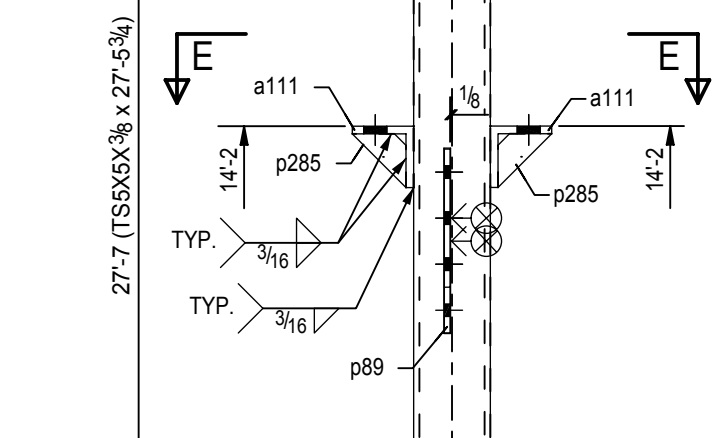
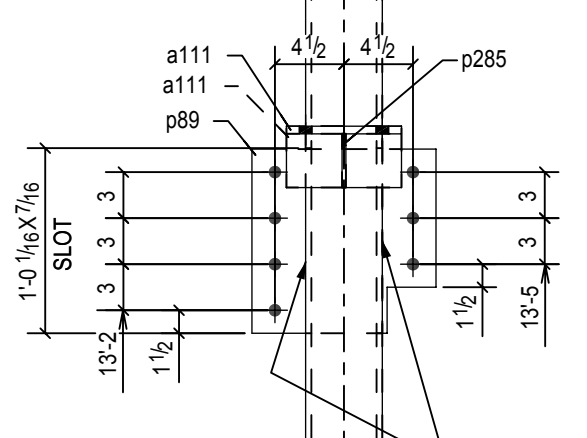
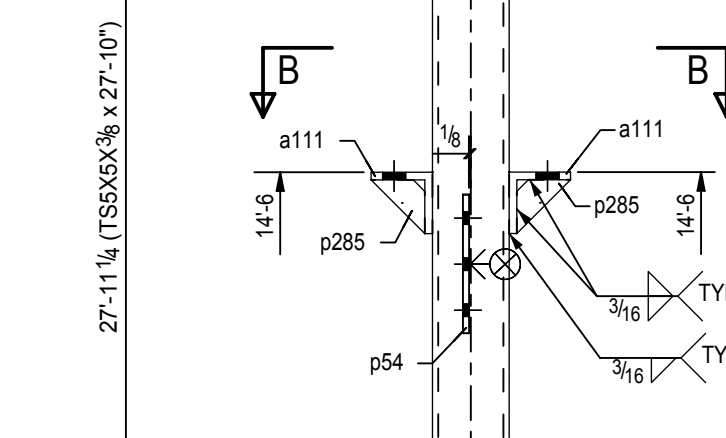
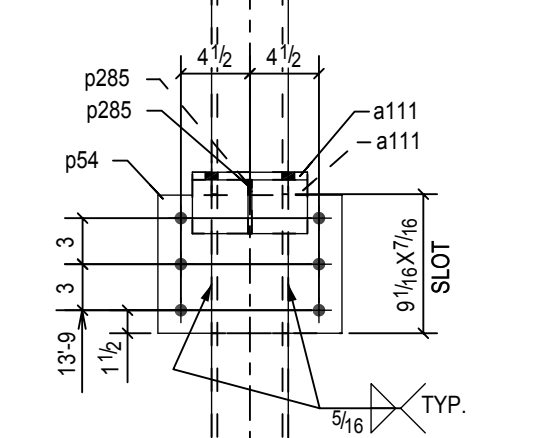
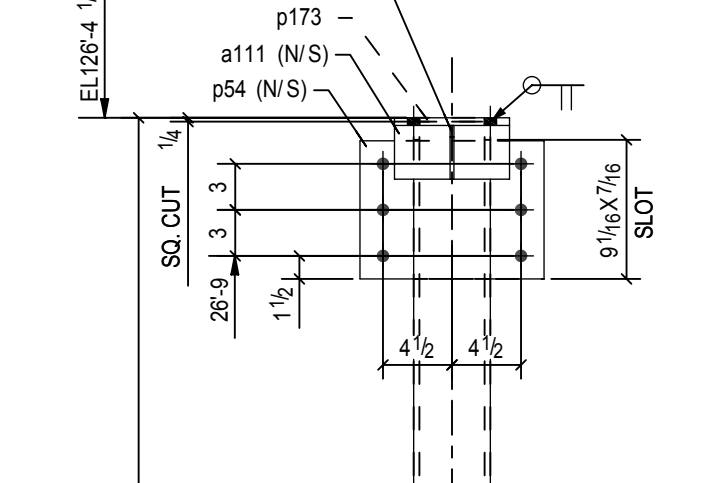
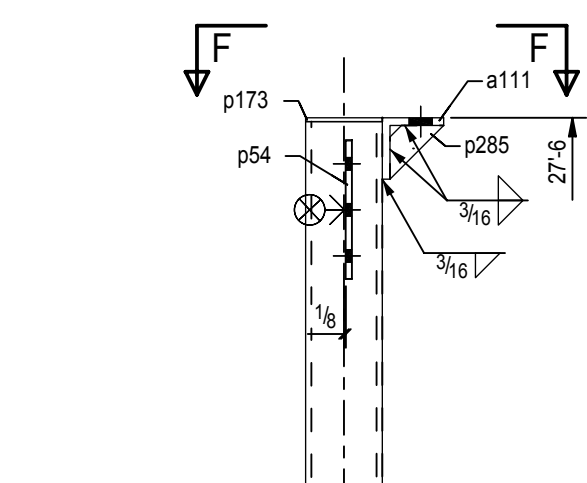
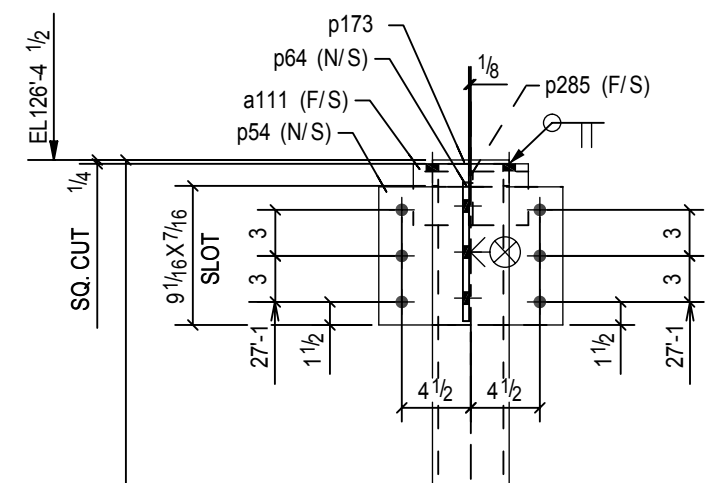
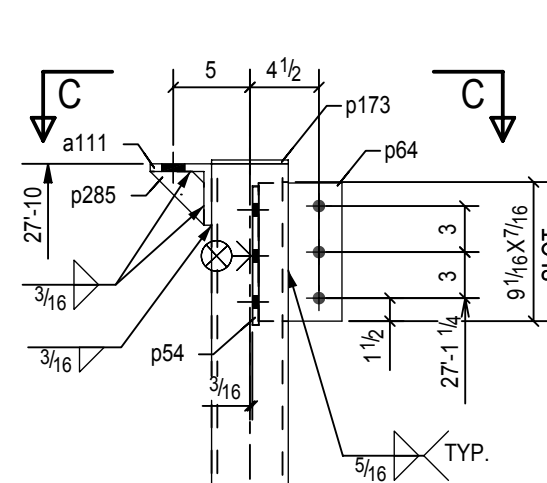
B-B



F-F

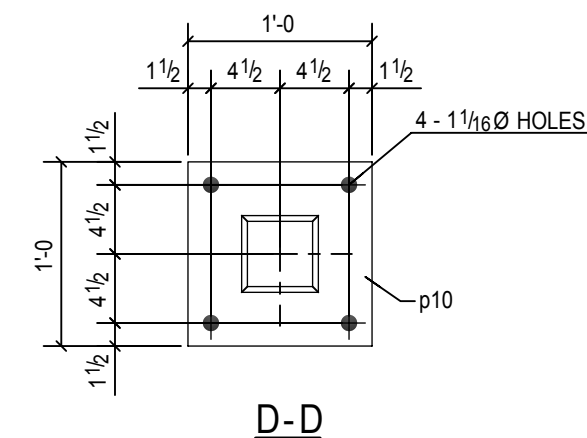


E-E



A-A

ONE - COLUMN - 17C1



D-D

ONE - COLUMN - 17C2

SEQ.				BILL OF MATERIAL						
A	B	C	D	SHIP MARK	PIECE MARK	QTY.	DESCRIPTION	LENGTH	GRADE	REMARKS
1	0	0	0	17C1		1	TSSX5X3/8	27'-10"	A500-GR.B	NO PAINT
					a111	3	L4X4X1/2	0'-7 1/2"	A36	
					p10	1	PL1 X12	1'-0"	A36	
					p54	2	PL3/8X9	1'-0"	A36	
					p64	1	PL3/8X5 7/16	0'-9"	A36	
					p173	1	PL1/4X5	0'-5"	A36	
					p285	3	PL1/4X3 1/2	0'-3 1/2"	A36	
1	0	0	0	17C2		1	TSSX5X3/8	27'-5 3/4"	A500-GR.B	NO PAINT
					a111	3	L4X4X1/2	0'-7 1/2"	A36	
					p10	1	PL1 X12	1'-0"	A36	
					p54	1	PL3/8X9	1'-0"	A36	
					p89	1	PL3/8X12	1'-0"	A36	
					p173	1	PL1/4X5	0'-5"	A36	
					p285	3	PL1/4X3 1/2	0'-3 1/2"	A36	

NOTE :  
1. NO PAINT

SHOP NOTES

- 1) ALL HOLES 13/16 Dia U.N.O.
- 2) E70XX ELECTRODES
- 3) MATERIAL A36 UNO

REV.	DATE	DESCRIPTION
B		ISSUED FOR FABRICATION
A		ISSUED FOR APPROVAL

Detailer **D & A TECHNICAL SERVICES, INC.**  
LAUREL, MARYLAND PH: 3012725593 FAX: 2402355302

ISSUED For	Date	Ref. Dwg.	E1 & E2	Dwg. Description	COLUMNS DETAIL
APPROVAL		Project :			
FABRICATION		Location :			
		Customer :			
		Arch :			
		Detailed By :			
		Checked By :			
				Job No.	Dwg. No. Rev.