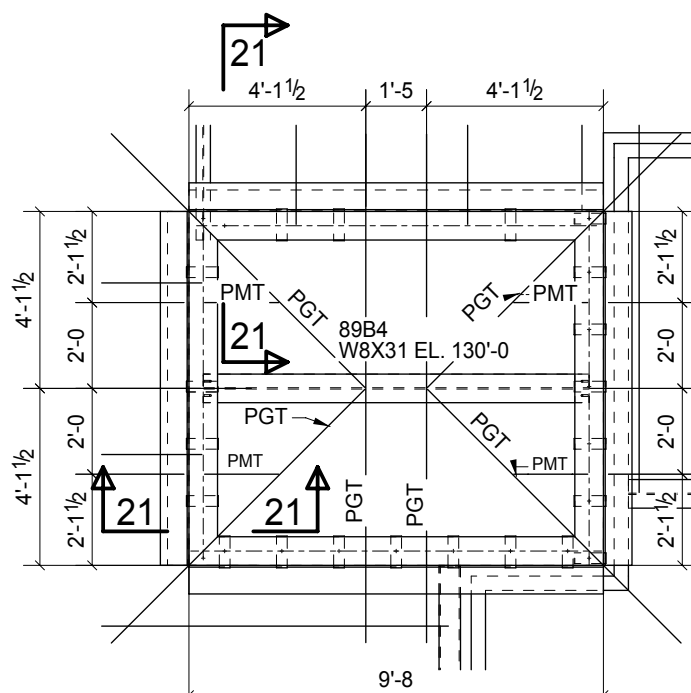


SEQ.-B (ROOF FRAMING PLAN)
(ALL EL INDICATES T.O.S (U.N.O))

- NOTES:-
1. ALL WF BEAM WITH DOUBLE SHEAR CONN. FRAMED INTO COL. USE 3/8" A325 N BOLTS.
 2. ALL SINGLE SHEAR PLATE CONNECTION OF BEAM USE 3/8" A325 X BOLTS U.N.O
 3. W8x31, W8x40 & W10x33 @ DOUBLE SHEAR CONNECTION USE 3/8" A325 X BOLTS U.N.O
 4. FOR W16x57 & W14x48 @ MOMENT PLATE CONN. USE 8 NO. 3/8" A490 X BOLTS
 5. FOR ALL OTHER BEAMS @ MOMENT PLATE CONN. USE 3/8" A325 X BOLTS.
 6. FOR SECTIONS REFERENCE DWG. NO E14, E15 & E16
 7. FOR LINTEL MARKING REF. SEPARATE DWG.
 8. ALL HAMBRO JOIST SPACING VERIFY WITH HAMBRO JOIST DWG.
 9. FOR ALL WF BEAM TO WF COL. FIELD WELDED MOMENT CONN. REF. ERECTION DWG. NO. E17
 10. PMT, PGT PMP & PBT LOCATION & SPACING REF. BY PRE-ENGINEERED METAL SUPPLIER DWGS.
 11. FOR SECTION 37 TO 39 REFER DWG. NO.-E7



SHOP NOTES

- 1) ALL HOLES 13/16 Dia U.N.O.
- 2) E70XX ELECTRODES
- 3) MATERIAL A36 UNO

REV.	DATE	DESCRIPTION
A		ISSUED FOR APPROVAL
B		ISSUED FOR FIELD USE

Detailer: **D & A TECHNICAL SERVICES, INC.**
LAUREL, MARYLAND PH: 3012725593 Fax: 2402355302

ISSUE FOR	DATE	Rev. Desc	Dwg. Description
APPROVAL		S3.1A & S5.1 TO S5.3	ROOF FRAMING PLAN SEQ.-B
APPROVAL		Project:	
		Location:	
		Customer:	
		Arch:	
		Detailed By:	Date:
		Checked By:	Date:

